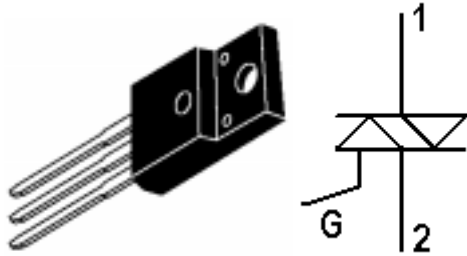


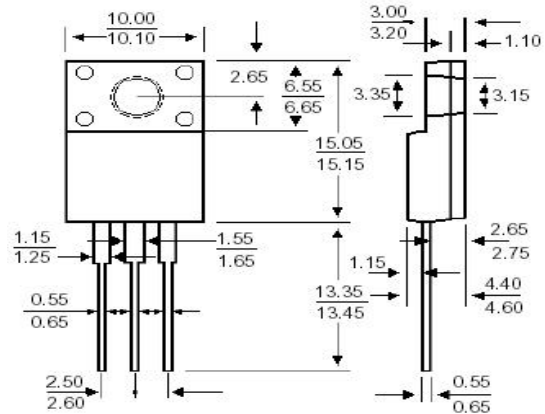
FTC16A60F

DESCRIPTION



ITO-220AB

MECHANICAL DIMENSION



DIMENSION IN MM

FOR USE IN HIGH BIDIRECTIONAL TRANSIENT AND BLOCKING VOLTAGE APPLICATIONS, AND FOR HIGH THERMAL CYCLING PERFORMANCE.

TYPICAL APPLICATION INCLUDING MOTOR CONTROL, INDUSTRIAL AND DOMESTIC, LIGHTING, HEATING, COPIER, MICROWAVE AND STATIC SWITCH

Parameters MAX RATINGS	Symbol	FTC16A60F
R.M.S. ON – STATE CURRENT TC=98	IT (RMS)	16A
REPETITIVE PEAK OFF-STATE VOLTAGE	VDRM	600V
SURGE ON-STATE CURRENT FULL SINE WAVE 50/60HZ PEAK NON-REPETITIVE	ITSM	155A@50HZ / 170A@60HZ
I ² T FOR FUSE	I ² T	120A ² S
PEAK GATE POWER DISSIPATION	PG	5W
AVERAGE PEAK GATE POWER DISSIPATION	PGAV	0.5W
PEAK GATE CURRENT	IGM	2A
PEAK GATE VOLTAGE	VGM	10V
OPERATING JUNCTION and STORAGE TEMPERATURE RANGE	To/Ts	-40~+125

ELECTRICAL CHARACTERISTICS T_j=125

OFF-STATE LEAKAGE CURRENT V _D =V _{DRM}	IDRM	MAX 2mA
ON-STATE VOLTAGE I _T =12A, INST	V _{TM}	MAX 1.4V
NON-TRIGGER GATE VOLTAGE V _D =1/2V _{DRM}	V _{GD}	MIN 0.2V
CRITICAL RATE OF RISE OFF-STATE VOLTAGE	(dv/dt) _c	MIN 10V/uS
HOLDING CURRENT	I _H	TYPE 25mA
THERMAL IMPEDANCE@ JUNCTION TO CASE	R _{th(j-c)}	MAX 1.4 /W
GATE TRIGGER CURRENT V _D =6V, R _L =10	I _{GT}	MAX 30mA
GATE TRIGGER VOLTAGE V _D =6V, R _L =10	V _{GT}	MAX 1.5V