

MBD4148W /BAS16W SWITCHING DIODE

FEATURES

Power dissipation

P_D : 200 mW ($T_{amb}=25^\circ\text{C}$)

Collector current

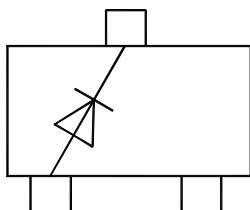
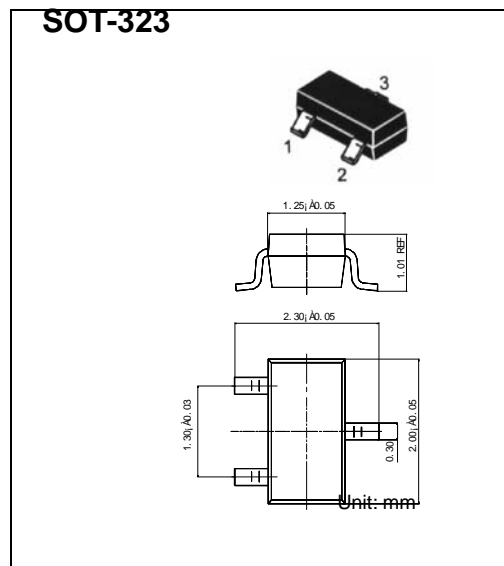
I_O : 150 mA

Collector-base voltage

V_R : 75 V

Operating and storage junction temperature range

T_J, T_{stg} : -55°C to $+150^\circ\text{C}$



Marking: A2, KA2, KT1

ELECTRICAL CHARACTERISTICS ($T_{amb}=25^\circ\text{C}$ unless otherwise specified)

Parameter	Symbol	Test conditions	MIN	MAX	UNIT
Reverse breakdown voltage	$V_{(BR)R}$	$I_R=100\mu\text{A}$	75		V
Reverse voltage leakage current	I_R	$V_R=75\text{V}$		1	μA
Forward voltage	V_F	$I_F=1\text{mA}$ $I_F=10\text{mA}$ $I_F=50\text{mA}$ $I_F=150\text{mA}$		0.715 0.855 1 1.25	V
Diode capacitance	C_D	$V_R=0\text{V}, f=1\text{MHz}$		2	pF
Reveres recovery time	t_{rr}	$I_F=I_R=10\text{mA}$ $I_{rr}=0.1 \times I_R$		4	nS