



UC384XA-BW Current Mode PWM Controller

(UC3842A-BW/43A-BW/44A-BW/45A-BW)

DESCRIPTION

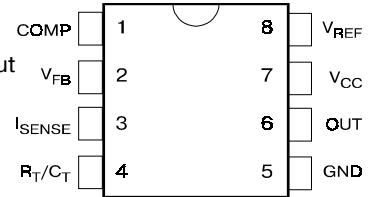
The UC3842A-BW/43A-BW/44A-BW/45A-BW are fixed frequency current mode PWM controller. They are specially designed for OFF-Line and DC to DC converter applications with a minimal external components. Internally implemented circuits include a trimmed oscillator for precise duty cycle control, a temperature compensated reference, high gain error amplifier, current sensing comparator, and a high current totem pole output ideally suited for driving a power MOSFET. Protection circuitry includes built undervoltage lockout and current limiting.

The UC3842A-BW and UC3844A-BW have UVLO thresholds of 16 V (on) and 10 V (off). The corresponding thresholds for the UC3843A-BW/45A-BW are 8.4V (on) and 7.6V (off). The UC3842A-BW and UC3843A-BW can operate within 100% duty cycle. The UC3844A-BW and UC3845A-BW can operate within 50% duty cycle.

The UC384XA-BW has Start-Up Current 0.17mA (typ).

The UC384XA-BW are revised UC384XAM and differ by higher Unity Gain bandwidth of Error Amplifier.

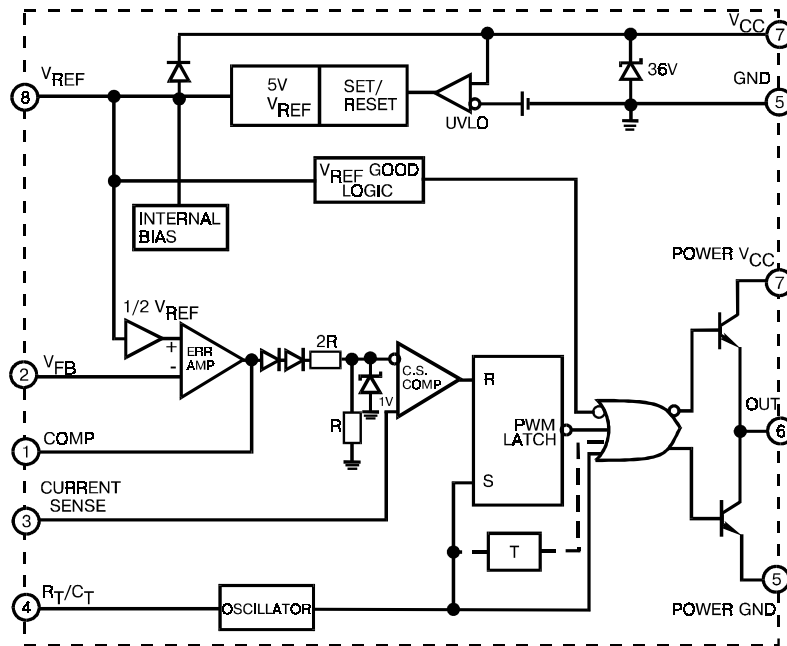
PIN CONNECTION (TOP VIEW)



FEATURES

- Low Start-Up and Operating Current
- High Current Totem Pole Output
- Undervoltage Lockout With Hysteresis
- Operating Frequency Up To 500KHz

BLOCK DIAGRAM (toggle flip flop used only in UC3844, UC3845)



Absolute Maximum Ratings

Characteristic	Symbol	Value	Unit
Supply Voltage (low impedance source)	V_{CC}	30	V
Output Current	I_O	± 1	A
Input Voltage (Analog Inputs pins 2,3)	V_I	-0.3 to 5.5	V
Error Amp Output Sink Current	$I_{SINK (E.A)}$	10	mA
Power Dissipation ($T_A=25^\circ C$)	P_O	1	W
Storage Temperature Range	T_{stg}	-65 to 150	$^\circ C$
Lead Temperature (soldering 5 sec.)	T_L	260	$^\circ C$



UC384XA-BW Current Mode PWM Controller

(UC3842A-BW/43A-BW/44A-BW/45A-BW)

Electrical characteristics (*V_{CC}=15V, R_T=10kΩ, C_T=3.3nF, T_A=0°C to +70°C, unless otherwise specified)

Characteristics	Symbol	Test Condition	Min	Typ	Max	Unit
Reference Section						
Reference Output Voltage	V _{REF}	T _J = 25°C, I _{REF} = 1 mA	4.9	5.0	5.1	V
Line Regulation	ΔV _{REF}	12V ≤ V _{CC} ≤ 25 V		6.0	20	mV
Load Regulation	ΔV _{REF}	1 mA ≤ I _{REF} ≤ 20mA		6.0	25	
Short Circuit Output Current	I _{SC}	T _A = 25°C		-100	-180	mA
Oscillator Section						
Oscillation Frequency	f	T _J = 25°C	47	52	57	KHz
Frequency Change with Voltage	Δf/ΔV _{CC}	12V ≤ V _{CC} ≤ 25 V		0.05	1.0	%
Oscillator Amplitude	V _(OSC)	(peak to peak)		1.6		V
Error Amplifier Section						
Input Bias Current	I _{BIAS}	V _{FB} =3V		-0.1	-2	μA
Input Voltage	V _{I(E.A)}	V _{pin1} = 2.5V	2.42	2.5	2.58	V
Open Loop Voltage Gain	A _{VOL}	2V ≤ V ₀ ≤ 4V	65	90		dB
Unity Gain Bandwidth	UGBW	T _J =25°C, Note 3	0.5	0.6		MHz
Power Supply Rejection Ratio	PSRR	12V ≤ V _{CC} ≤ 25 V	60	70		dB
Output Sink Current	I _{SINK}	V _{pin2} = 2.7V, V _{pin1} = 1.1V	2	7		mA
Output Source Current	I _{SOURCE}	V _{pin2} = 2.3V, V _{pin1} = 5V	-0.5	-1.0		mA
High Output Voltage	V _{OH}	V _{pin2} = 2.3V, R _L = 15KΩ to GND	5.0	6.0		V
Low Output Voltage	V _{OL}	V _{pin2} = 2.7V, R _L = 15KΩ to PIN 8		0.8	1.1	
Current Sense Section						
Gain	G _V	(Note 1 & 2)	2.85	3.0	3.15	V/V
Maximum Input Signal	V _{I(MAX)}	V _{pin1} = 5V (Note1)	0.9	1.0	1.1	V
Supply Voltage Rejection	SVR	12V ≤ V _{CC} ≤ 25 V (Note 1)		70		dB
Input Bias Current	I _{BIAS}	V _{pin3} = 3V		-3.0	-10	μA
Output Section						
Low Output Voltage	V _{OL}	I _{SINK} = 20 mA		0.08	0.4	V
		I _{SINK} = 200 mA		1.4	2.2	
High Output Voltage	V _{OH}	I _{SINK} = 20 mA	13	13.5		
		I _{SINK} = 200 mA	12	13.0		
Rise Time	t _R	T _J = 25°C, C _L = 1nF (Note 3)		45	150	nS
Fall Time	t _F	T _J = 25°C, C _L = 1nF (Note 3)		35	150	
Undervoltage Lockout Section						
Start Theshold	V _{TH(ST)}	UC3842A-BW/44A-BW	14.5	16.0	17.5	V
		UC3843A-BW/45A-BW	7.8	8.4	9.0	
Min. Operating Voltage (After Turn On)	V _{OPR(min)}	UC3842A-BW/44A-BW	8.5	10	11.5	V
		UC3843A-BW/45A-BW	7.0	7.6	8.2	
PWM Section						
Max. Duty Cycle	D _(MAX)	UC3842A-BW/43A-BW	95	97	100	%
		UC3844A-BW/45A-BW	47	48	50	
Min. Duty Cycle	D _(MAX)			0		
Total Standby Current						
Start-Up Current	I _{ST}	UC384XA-BW		0.17	0.3	mA
Operating Supply Current	I _{CC (OPR)}	V _{pin3} = V _{pin2} = 0V		13	17	
Zener Voltage	V _Z	I _{CC} =25 mA	30	38		V

* Adjust V_{CC} above the start threshold before setting it to 15V.

Note 1: Parameter measured at trip point of latch with V_{pin2}=0.

Note 2: Gain defined as A=ΔV_{pin1}/ΔV_{pin3} ; 0 ≤ V_{pin3} ≤ 0.8V.

Note 3: These parameters, although guaranteed, are not 100% tested in production.



(UC3842A-BW/43A-BW/44A-BW/45A-BW)

PIN FUNCTION

N	FUNCTION	DESCRIPTION
1	COMP	This pin is the Error Amplifier output and is made for loop compensation.
2	V_{FB}	This is the inverting input of the Error Amplifier. It is normally connected to the switching power supply output through a resistor divider.
3	I_{SENSE}	A voltage proportional to inductor current is connected to this input. The PWM uses this information to terminate the output switch conduction.
4	R_T/C_T	The oscillator frequency and maximum Output duty cycle are programmed by connecting resistor R_T to V_{ref} and capacitor C_T to ground.
5	GROUND	This pin is the combined control circuitry and power ground.
6	OUTPUT	This output directly drives the gate of a power MOSFET. Peak currents up to 1A are sourced and sink by this pin.
7	V_{CC}	This pin is the positive supply of the integrated circuit.
8	V_{ref}	This is the reference output. It provides charging current for capacitor C_T through resistor R_T .

APPLICATION INFORMATION

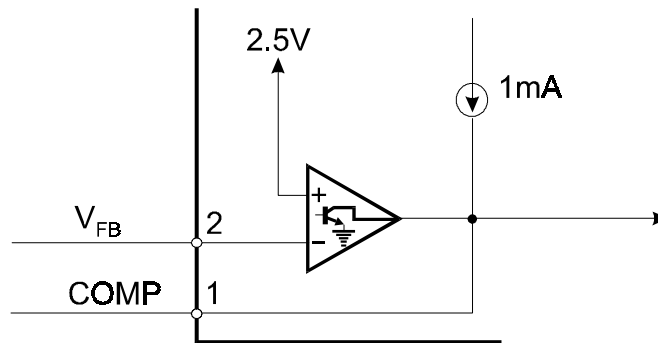


Figure 1. Error Amp Configuration

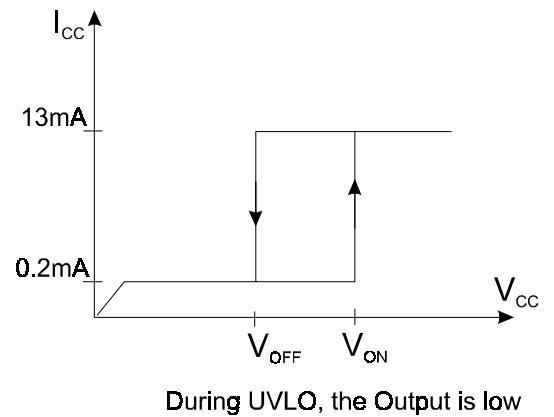
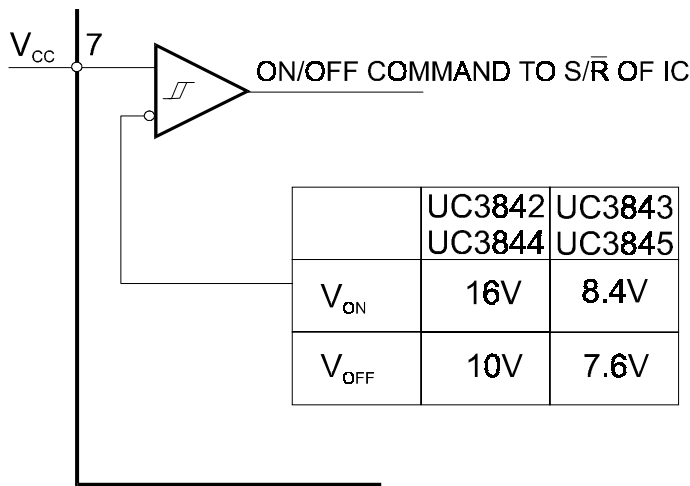
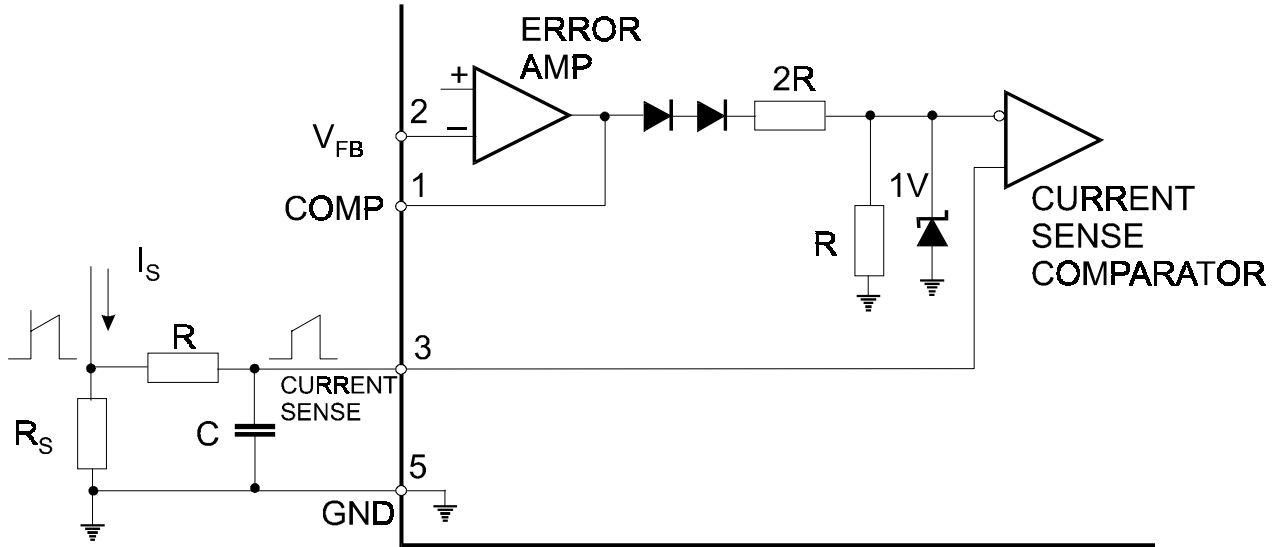


Figure 2. Undervoltage Lockout



(UC3842A-BW/43A-BW/44A-BW/45A-BW)



Peak current is determined by $I_{S \max} \approx \frac{1.0V}{R_s}$

Figure 3. Current Sense Circuit

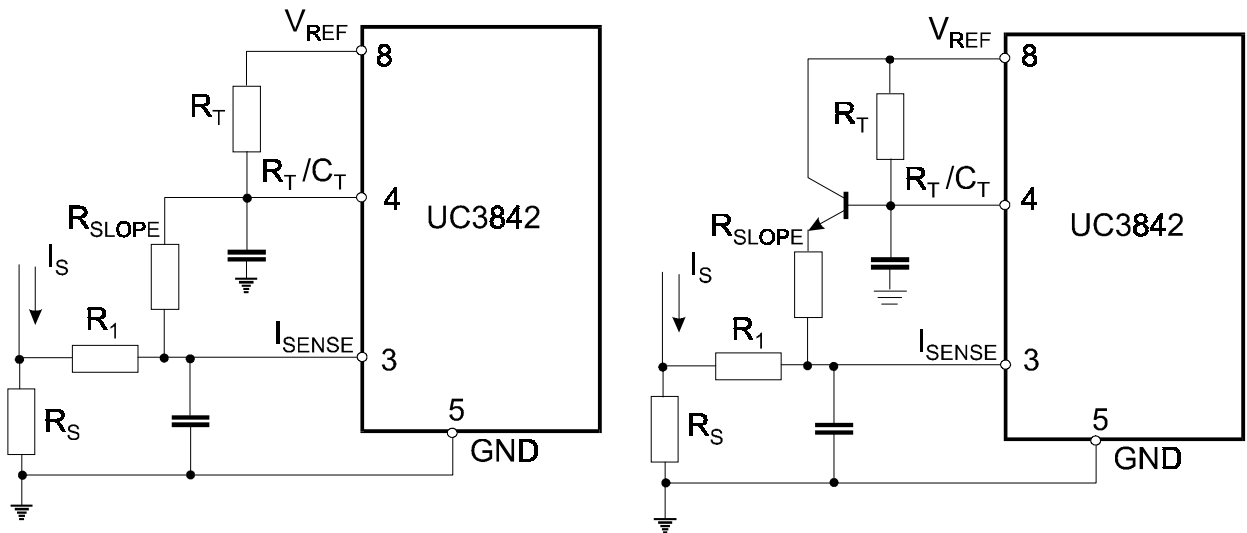
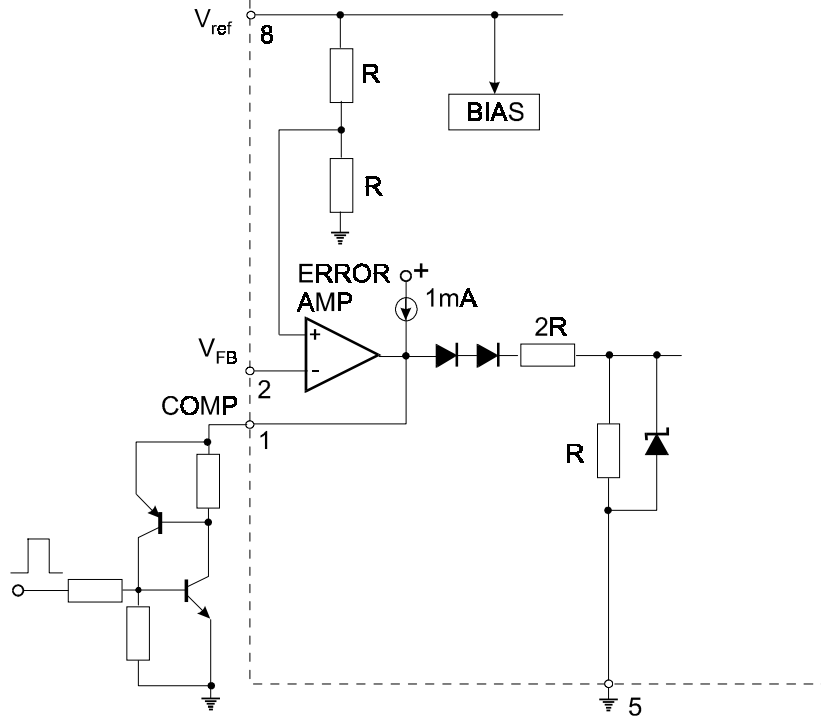


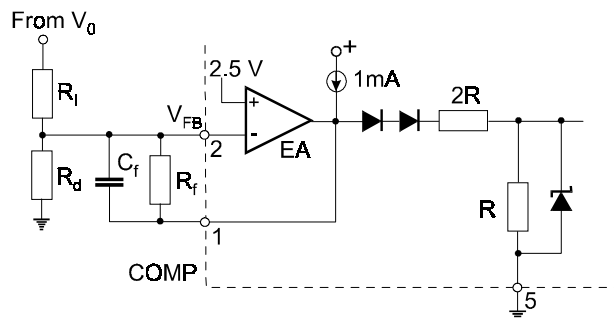
Figure 4. Slope Compensation Techniques

(UC3842A-BW/43A-BW/44A-BW/45A-BW)

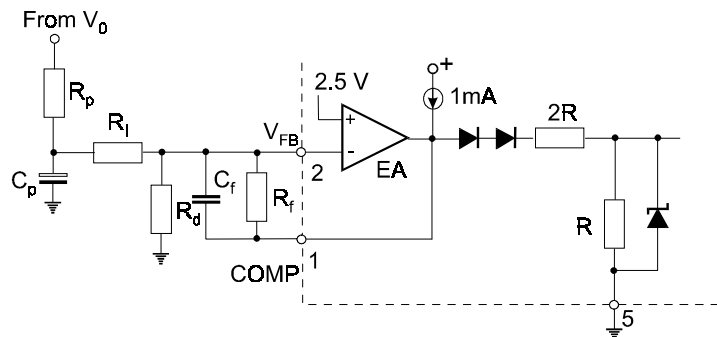


SCR must be selected for a holding current of less than 0.5mA.
The simple two transistor circuit can be used in place of the SCR as shown.

Figure 5. Latched Shutdown



Error Amp compensation circuit for stabilizing any current-mode topology except for boost and flyback converters operating with continuous inductor current.



Error Amp compensation circuit for stabilizing current-mode boost and flyback topologies operating with continuous inductor current.

Figure 6. Error Amplifier Compensation

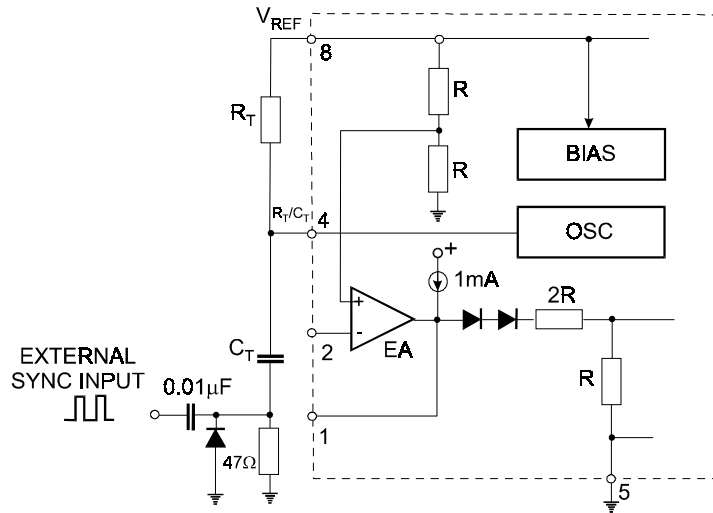


Figure 7. External Clock Synchronization

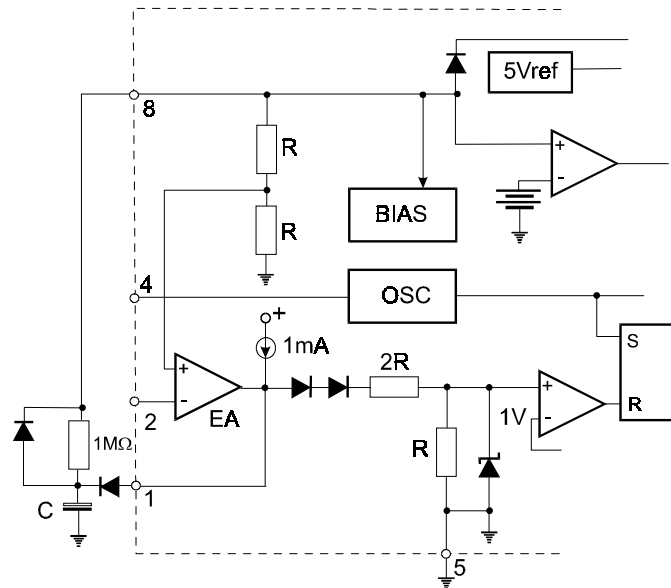


Figure 8. Soft-Start Circuit



TYPICAL PERFORMANCE CHARACTERISTICS

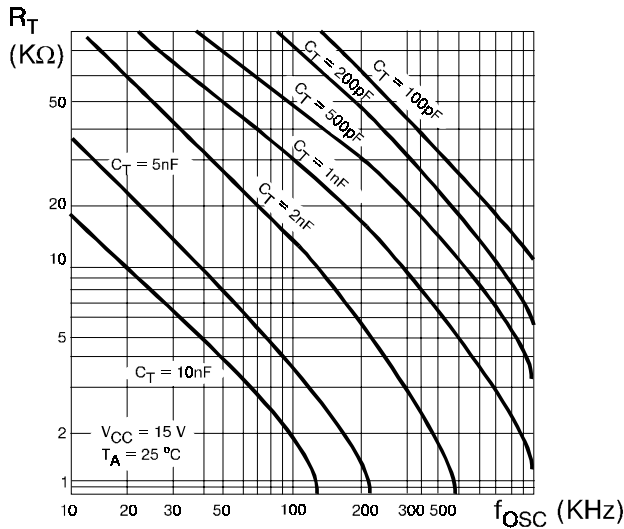


Figure 1. Timing Resistor vs. Oscillator Frequency

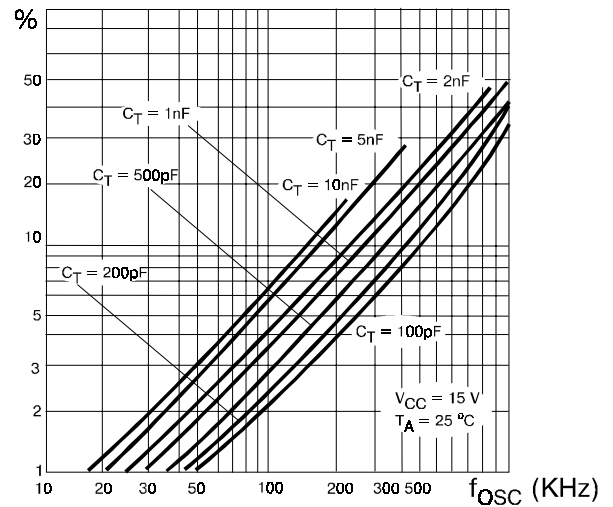


Figure 2. Output Dead-Time vs. Oscillator Frequency

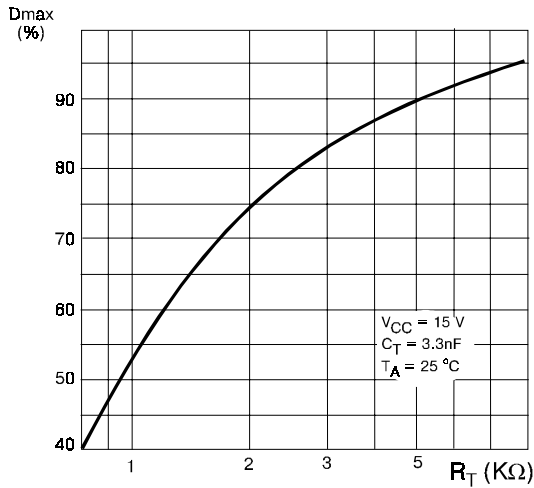


Figure 3. Maximum Output Duty Cycle vs. Timing Resistor (UC3842/43)

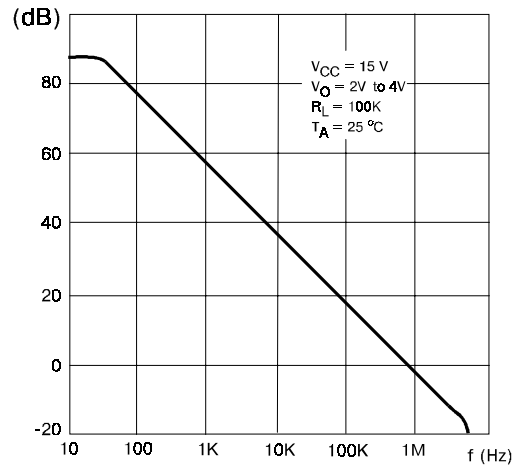


Figure 4. Error Amp Open-Loop Gain vs. Frequency

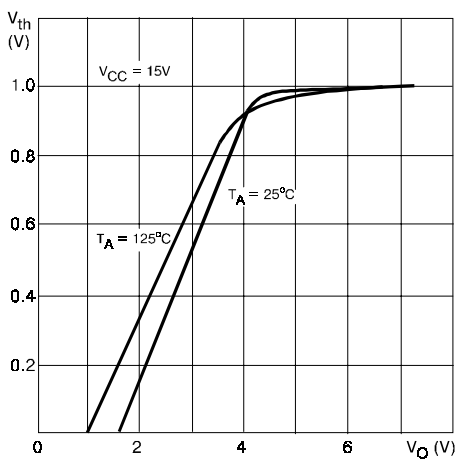


Figure 5. Current Sense Input Threshold vs. Error Amp Output Voltage

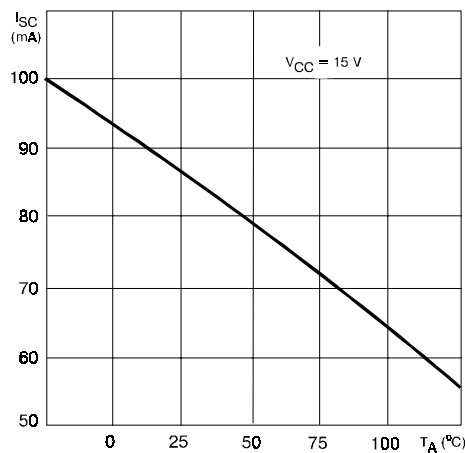


Figure 6. Reference Short Circuit Current vs. Temperature



(UC3842A-BW/43A-BW/44A-BW/45A-BW)

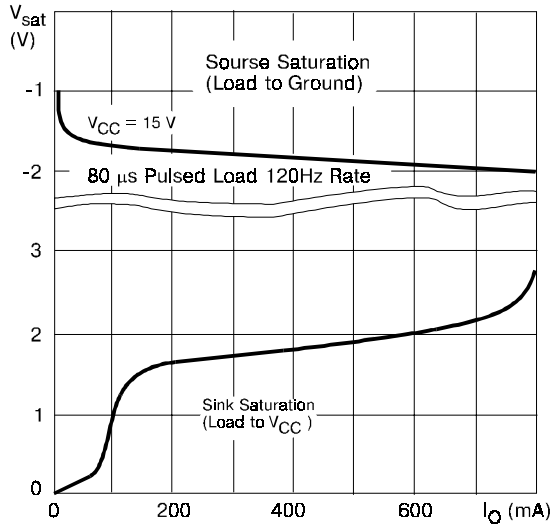


Figure 7. Output Saturation Voltage vs. Load Current
 $T_A = 25^\circ\text{C}$

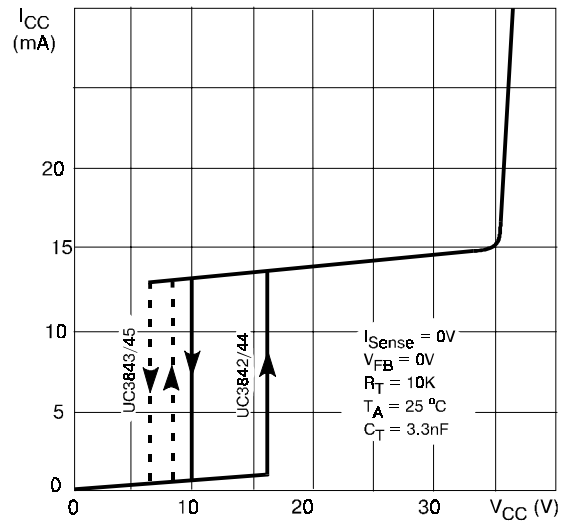


Figure 8. Supply Current vs. Supply Voltage

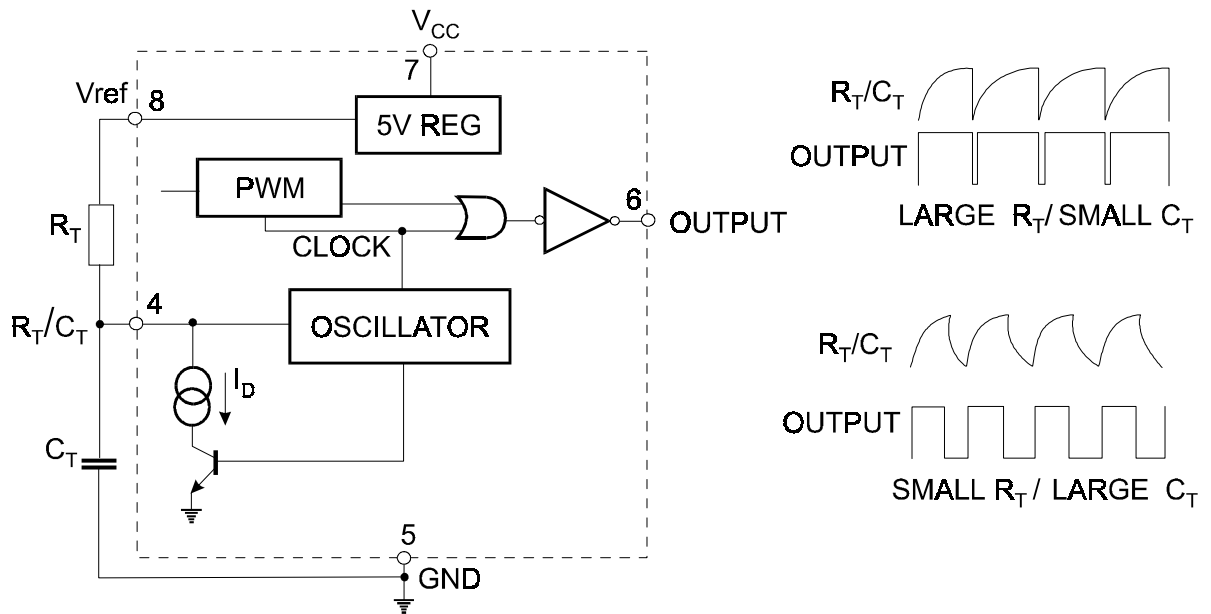
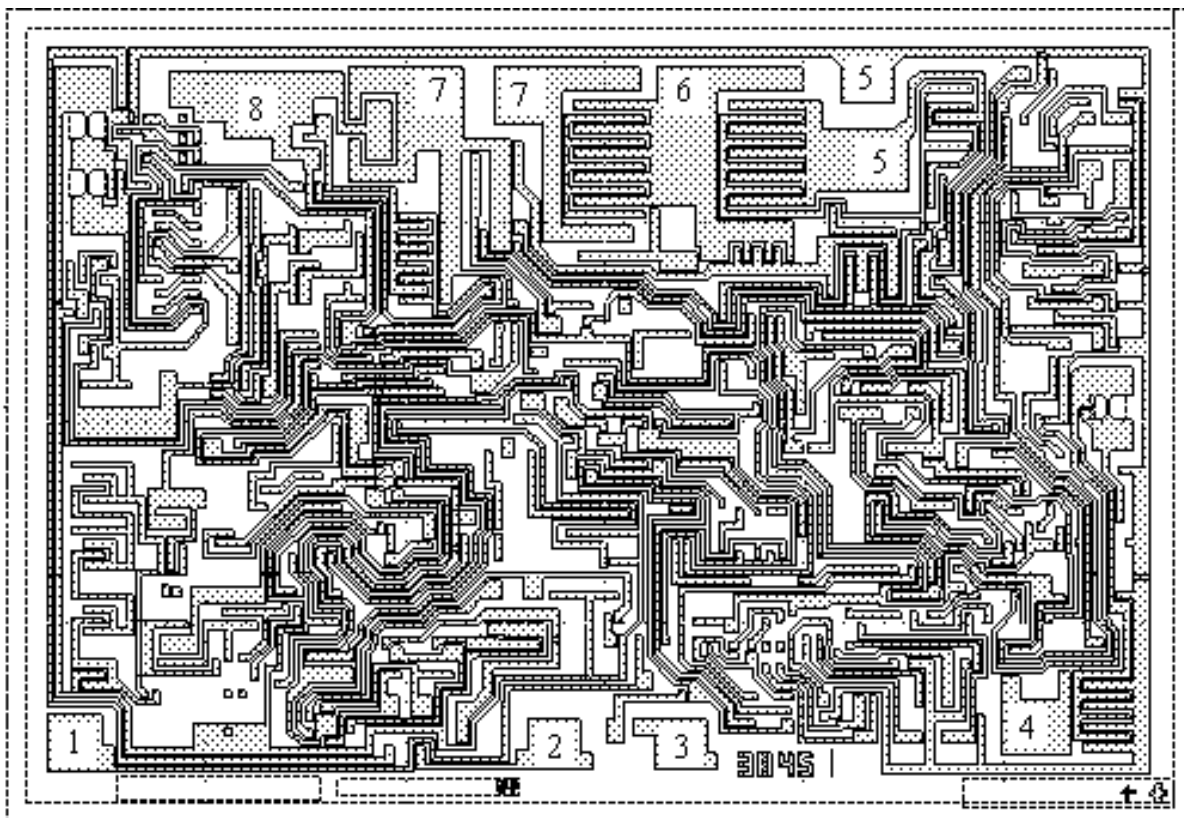


Figure 9. Oscillator and Output Waveforms



(UC3842A-BW/43A-BW/44A-BW/45A-BW)

PAD LOCATION



Chip size: 2.38 x 1.63 mm

PAD LOCATION COORDINATES

Pad N	Pad Name	Coordinates μm	
		X	Y
1	COMP	90	110
2	V _{FB}	1050	110
3	I _{SENSE}	1310	110
4	R _T /C _T	2000	150
5	POWER GND	1700	1280
6	GND	1680	1450
7	OUT	1310	1410
8	POWER V _{CC}	990	1410
9	V _{CC}	815	1410
10	V _{REF}	460	1390