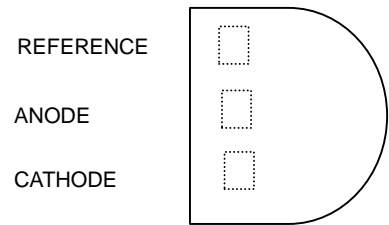




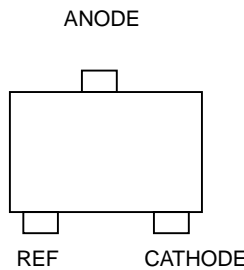
The TL431 integrated circuits are three-terminal programmable shunt regulator diodes. These monolithic IC voltage references operate as a low temperature coefficient zener which is programmable from Vref to 36 volts with two external resistors. This device exhibits a wide operating current range of 1.0 to 100 mA with a typical dynamic impedance of 0.22Ω. The characteristics of these references make them excellent replacements for zener diodes in many applications such as digital voltmeters, power supplies, and op amp circuitry. The 2.5 volt reference makes it convenient to obtain a stable reference from 5.0 volt logic supplies, and since the TL431 operates as a shunt regulator, it can be used as either a positive or negative voltage reference

FEATURE

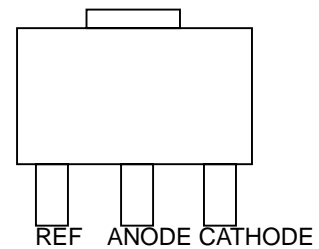
1. Programmable Output Voltage to 36 Volts
2. Low Dynamic Output Impedance, 0.22Ω Typical
3. Sink Current Capability of 1.0 to 100mA
4. Equivalent Full-Range Temperature Coefficient of 50ppm/°C Typical
5. Temperature Compensated for Operation over Full Rated Operating Temperature Range
6. Low Output Noise Voltage



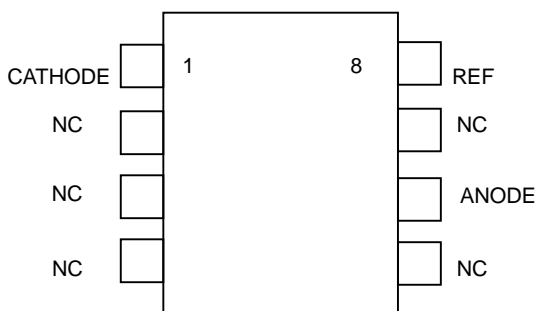
TO-92 TOP VIEW



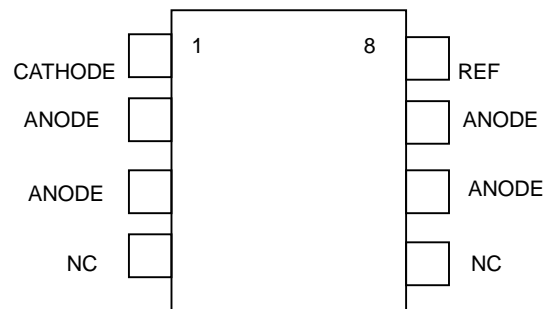
SOT-23 TOP VIEW



SOT-89 TOP VIEW



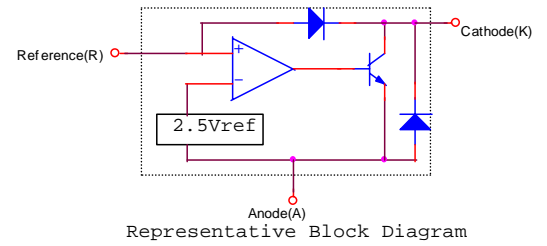
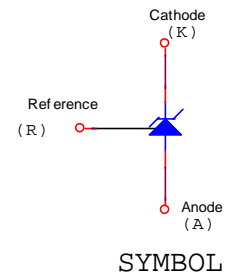
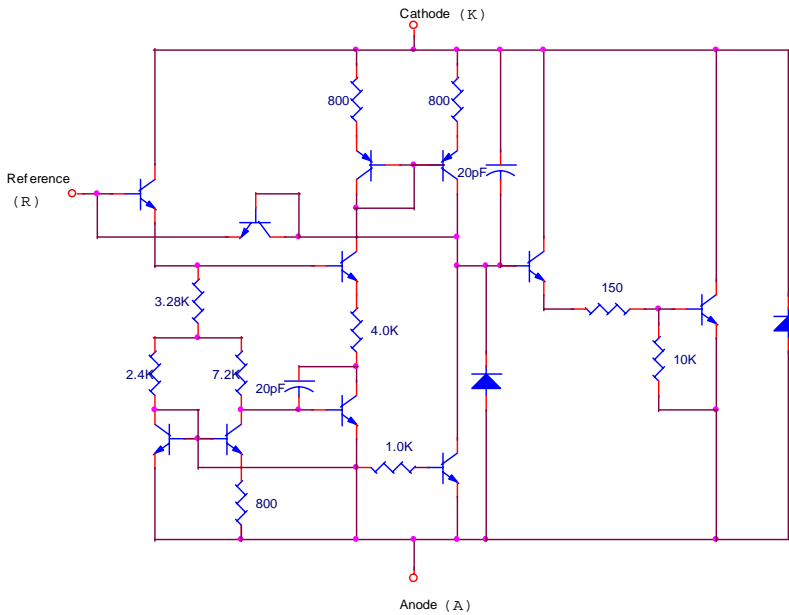
DIP-8 TOP VIEW



SOP-8 TOP VIEW



● BLOCK DIAGRAM



● ABSOLUTE MAXIMUM RATINGS

(Full operating ambient temperature range applies, unless otherwise noted)

Rating	Symbol	Value	Unit
Cathode To Anode Voltage	V_{KA}	37	V
Cathode Current Range, Continuous	I_K	-100 to +150	mA
Reference Input Current Range, Continuous	I_{ref}	-0.05 to +10	mA
Operating Junction Temperature	T_J	150	°C
Operating Ambient Temperature Range TL431CT/CP/CD/CH/CLT1	T_A	-20 ~ +85	°C
Storage temperature Range	T_{stg}	-65 to +150	°C
Total Power Dissipation @ $T_A=25^\circ\text{C}$ Derate above 25°C Ambient Temperature	P_D	0.70	W
T,D Suffix Package			
P Suffix Package			
H Suffix Package			
LT1 Suffix Package		0.28	



Total Power Dissipation @ $T_C=25^\circ\text{C}$ Derate above 25°C Case Temperature T,D Suffix Package P Suffix Package H Suffix Package LT1 Suffix Package	P_D	1.5 3.0	W
--	-------	------------	---

● THERMAL CHARACTERISTICS

Characteristics	Symbol	T,D Suffix	P Suffix	H Suffix	LT1 Suffix	Unit
Thermal Resistance, Junction to Ambient	$R_{\theta JA}$	178	114	110	575	$^\circ\text{C/W}$
Thermal Resistance, Junction to Case	$R_{\theta JC}$	83	41	8	150	$^\circ\text{C/W}$

● RECOMMENDED OPERATING CONDITIONS

Condition/Value	Symbol	Min	Max	Unit
Cathode to Anode Voltage	V_{KA}	V_{ref}	36	V
Cathode Current	I_K	1.0	100	mA

● ELECTRICAL CHARACTERISTICS (Ambient temperature at 25°C unless otherwise noted)

Characteristic	Symbol	TL431			Unit
		Min	Typ	Max	
Reference Input Voltage (Fig 1) $V_{KA}=V_{ref}$, $I_K=10\text{mA}$ $T_A=+25^\circ\text{C}$ Tolerance 0.5% 1% 2% $T_A=T_{low}$ to T_{high} (Note 1)	V_{ref}	2.483 2.470 2.445 2.453	2.495 --	2.507 2.520 2.55 2.537	V
Reference Input Voltage Deviation Over Temperature Range (Fig 1, Note 1,2) $V_{KA}=V_{ref}$, $I_K=10\text{mA}$	ΔV_{ref}	--	3.0	17	mV
Ratio of Change in Reference Input Voltage To Change in Cathode to Anode Voltage $I_K=10\text{mA}$ (Figure 2), $\Delta V_{KA}=10\text{V}$ to V_{ref} $\Delta V_{KA}=36\text{V}$ to 10V	$\frac{\Delta V_{ref}}{\Delta V_{KA}}$	-- --	-1.4 -1.0	-2.7 -2.0	mV/V



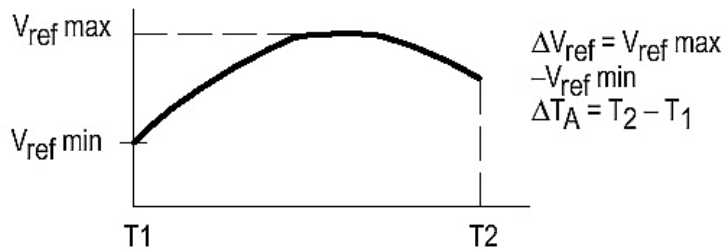
Reference Input Current (Figure 2) $I_K=10\text{mA}$, $R_1=10\text{k}$, $R_2=\infty$ $T_A=+25^\circ\text{C}$ $T_A=T_{\text{low}}$ to T_{high} (Note 1)	I_{ref}	--	1.8	4.0	μA
Reference Input Current Deviation Over Temperature Range (Figure 2, Note 1) $I_K=10\text{mA}$, $R_1=10\text{k}$, $R_2=\infty$	ΔI_{ref}	--	0.4	1.2	μA
Minimum Cathode Current for Regulation $V_{KA}=V_{\text{ref}}$ (Figure 1)	I_{min}	--	0.5	1.0	mA
Off-State Cathode Current (Figure 3) $V_{KA}=36\text{V}$, $V_{\text{ref}}=0\text{V}$	I_{off}	--	260	1000	nA
Dynamic Impedance (Figure 1, Note 3) $V_{KA}=V_{\text{ref}}$, $\Delta I_K=1.0\text{mA}$ to 100mA , $f_{\leq} 1.0\text{kHz}$	$ Z_{KA} $	--	0.22	0.5	Ω

1

$T_{\text{low}}=0^\circ\text{C}$, $T_{\text{high}}=+70^\circ\text{C}$

2

The deviation parameter ΔV_{ref} is defined as the differences between the maximum and minimum values obtained over the full operating ambient temperature range the applies.



The average temperature coefficient of the reference input voltage, αV_{ref} , is defined as:

$$\alpha V_{\text{ref}} \frac{\text{ppm}}{^\circ\text{C}} = \frac{\frac{\Delta V_{\text{ref}}}{V_{\text{ref}} @ 25^\circ\text{C}} \times 10^6}{\Delta T_A} = \frac{\Delta V_{\text{ref}} \times 10^6}{\Delta T_A (V_{\text{ref}} @ 25^\circ\text{C})}$$

αV_{ref} can be positive or negative depending on whether V_{ref} Min or V_{ref} Max occurs at the lower ambient temperature. (Refer to Figure 6)

Example: $\Delta V_{\text{ref}}=8.0\text{mV}$ and slope is positive, $V_{\text{ref}} @ 25^\circ\text{C}=2.495\text{V}$, $\Delta T_A=70^\circ\text{C}$

$$\alpha V_{\text{ref}} = \frac{0.008 \times 10^6}{70(2.495)} = 45.8 \text{ ppm}/^\circ\text{C}$$



3

The dynamic impedance Z_{KA} is defined as:

$$|Z_{KA}| = \frac{\Delta V_{KA}}{\Delta I_K}$$

When the device is programmed with two external resistors, R1 and r2, (refer to Figure 2) the total dynamic impedance of the circuit is defined as:

$$|Z_{KA}'| \approx |Z_{KA}| \left(1 + \frac{R1}{R2}\right)$$

● TEST CIRCUITS

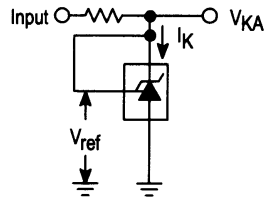
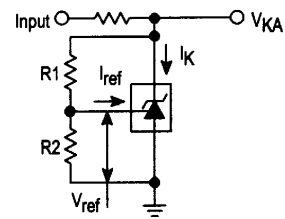


Fig 1. Test Circuit for $V_{KA}=V_{ref}$



$$V_{KA} = V_{ref} \left(1 + \frac{R1}{R2}\right) + I_{ref} \cdot R1$$

Fig 2. Test Circuit for $V_{KA}>V_{ref}$

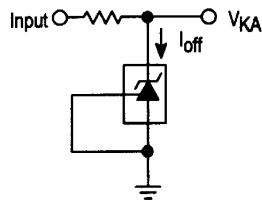


Fig 3. Test Circuit for I_{off}

● APPLICATION EXAMPLE

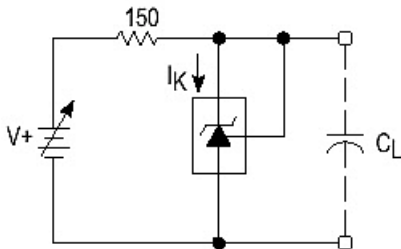


Fig 4. Test circuit for curves A of stability boundary conditions

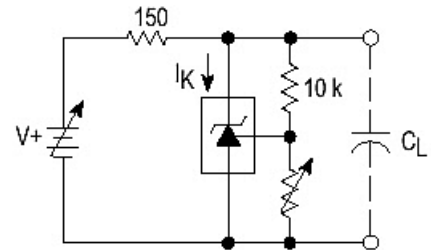


Fig 5. Test circuit for curves B.C and D of stability boundary conditions

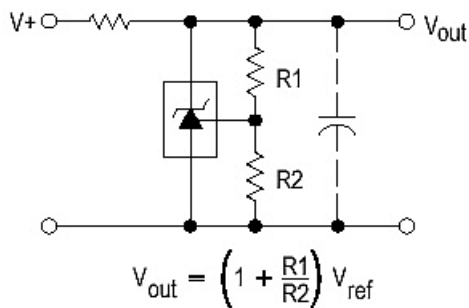


Fig 6. Shunt regulator

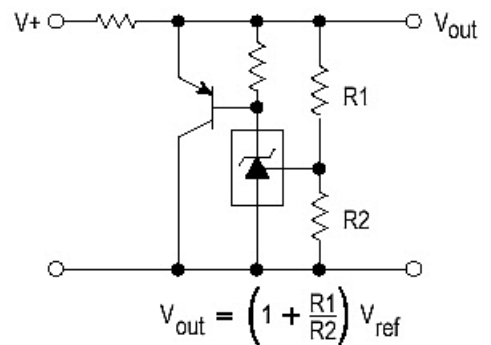


Fig 7. High current shunt regulator

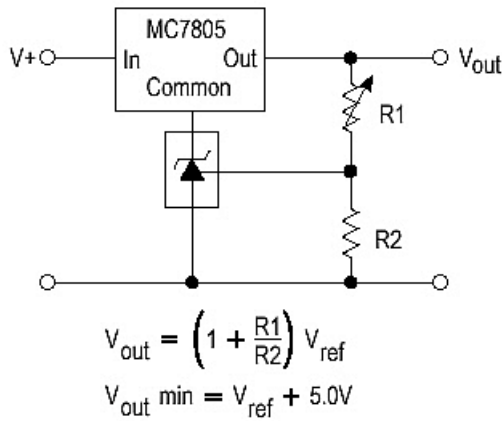


Fig 8. Output control of a three-Terminal fixed regulator

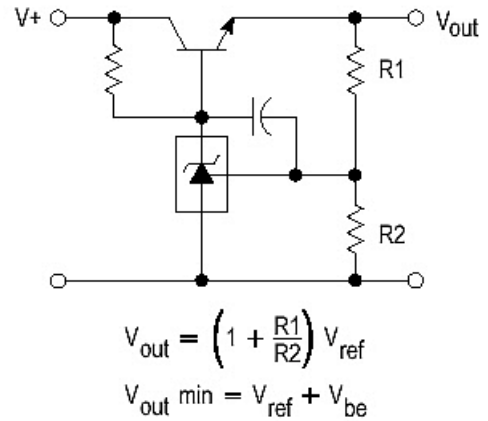


Fig 9. Series pass regulator

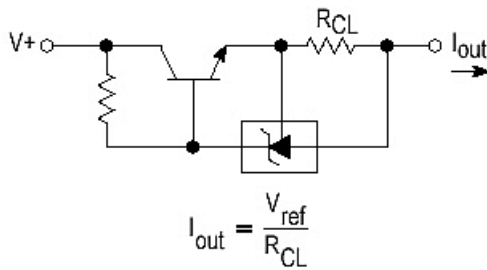


Fig 10 .Constant current source

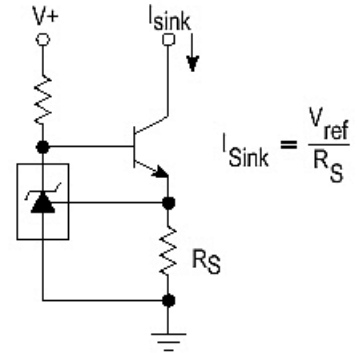


Fig 11 .Constant current sink

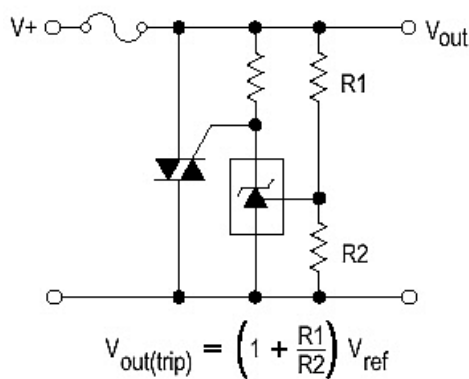


Fig 12 .Triac crowbar

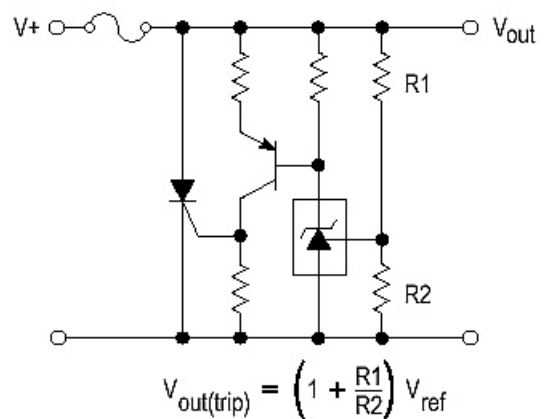
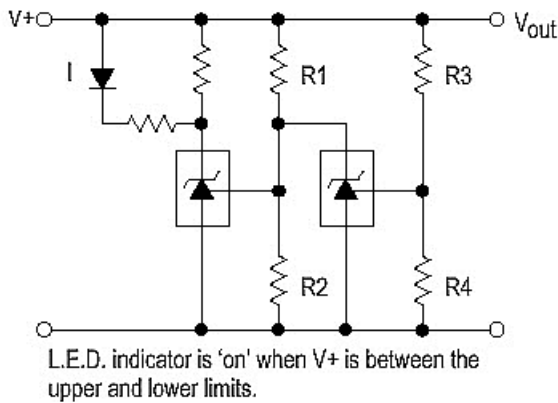


Fig 13.SCR crowbar



Upper Limit = $\left(1 + \frac{R3}{R4}\right) V_{ref}$ Lower Limit = $\left(1 + \frac{R1}{R2}\right) V_{ref}$

Fig 14. Voltage monitor

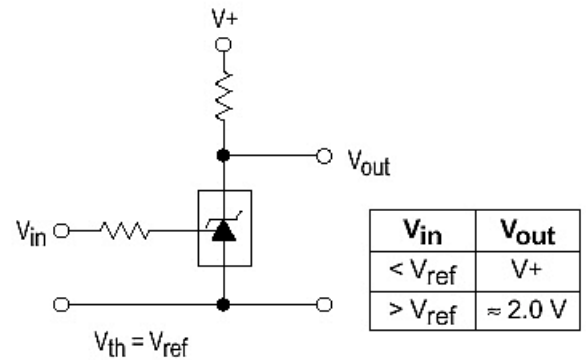


Fig 15 . Single-supply comparator with temperature-compensated threshold

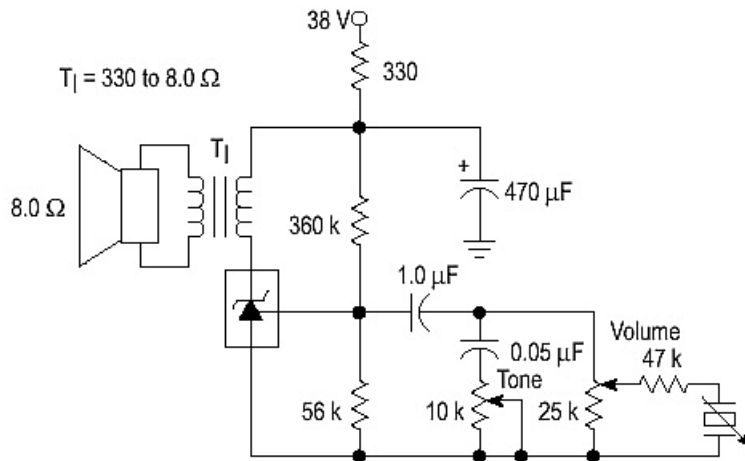


Fig 16 .Simple 400mW phone amplifier

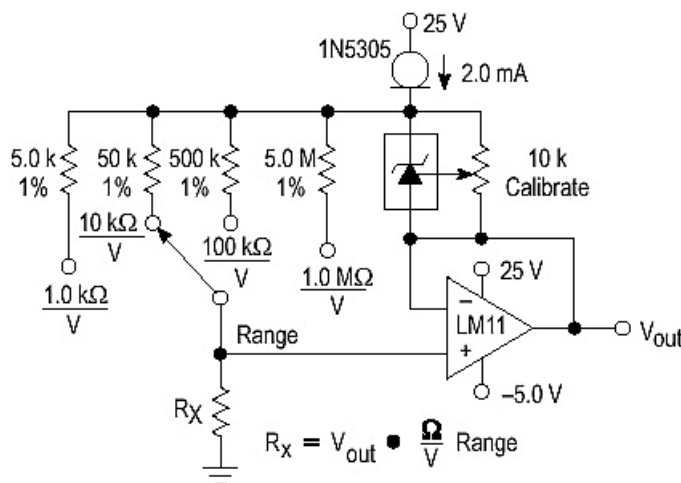
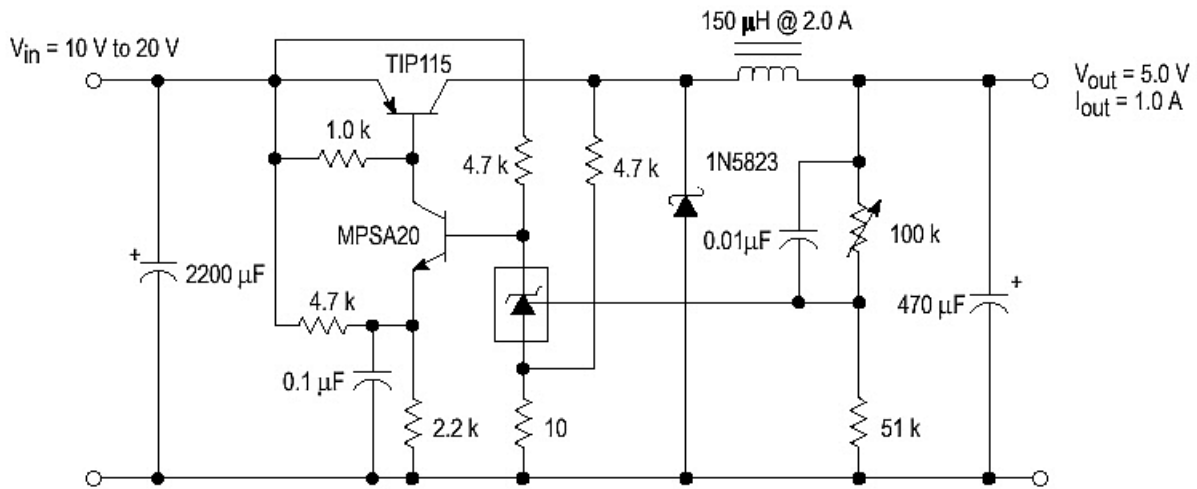


Fig 17. Linear ohmmeter



Test	Conditions	Results
Line Regulation	$V_{in}=10V$ to $20V, I_o=1.0A$	53mV (1.1%)
Load Regulation	$V_{in}=15V, I_o=0A$ to $1.0A$	25mV (0.5%)
Output Ripple	$V_{in}=10V, I_o=1.0A$	50mV _{PP} P.A.R.D
Output Ripple	$V_{in}=20V, I_o=1.0A$	100mV _{PP} P.A.R.D
Efficiency	$V_{in}=15V, I_o=1.0A$	82%

Fig 18.High efficiency step-down switching converter

ELECTRICAL CHARACTERISTICS CURVES

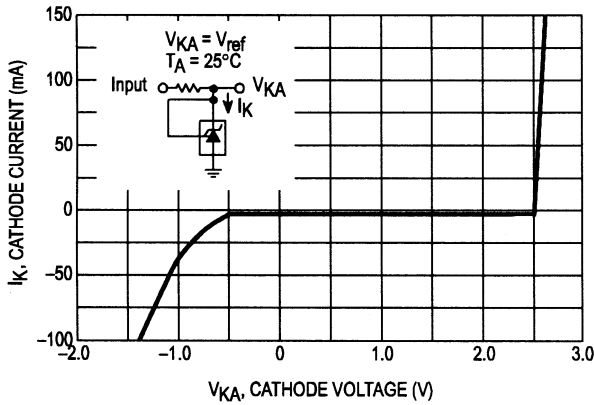


Fig 19. Cathode current versus cathode voltage

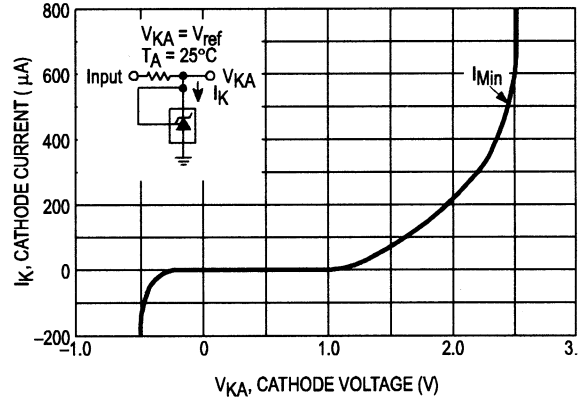


Fig 20. Cathode current versus cathode voltage

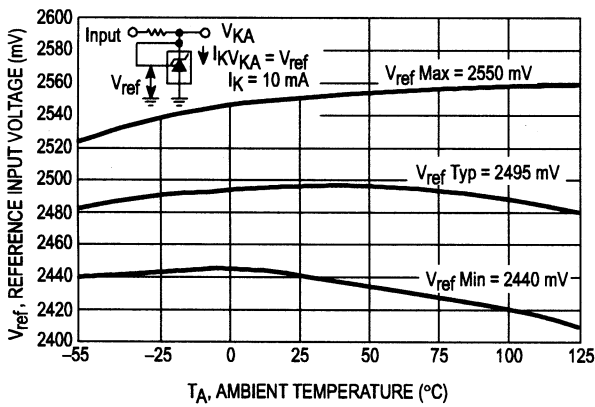


Fig 21. Reference input voltage versus ambient temperature

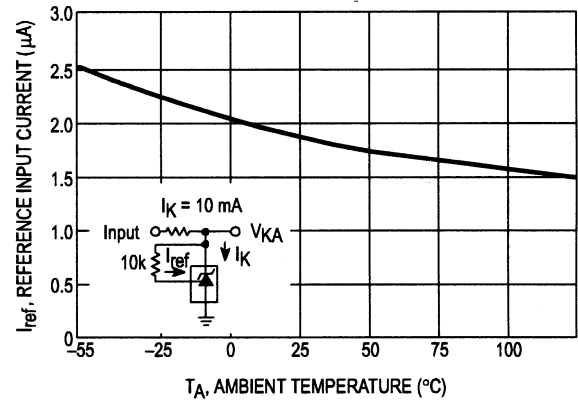


Fig 22. Reference input current versus ambient temperature

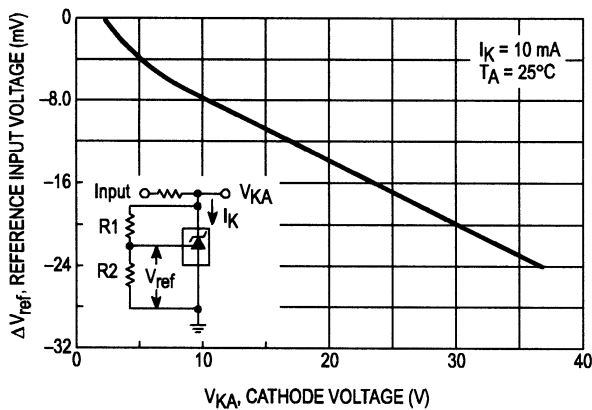


Fig 23. Change in reference input voltage versus Cathode voltage

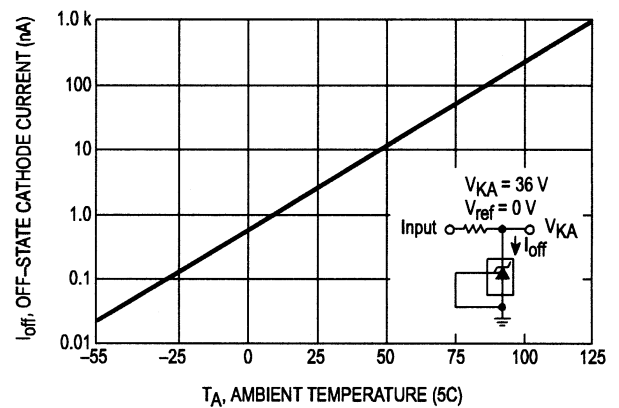


Fig 24. Off state cathode current versus ambient temperature

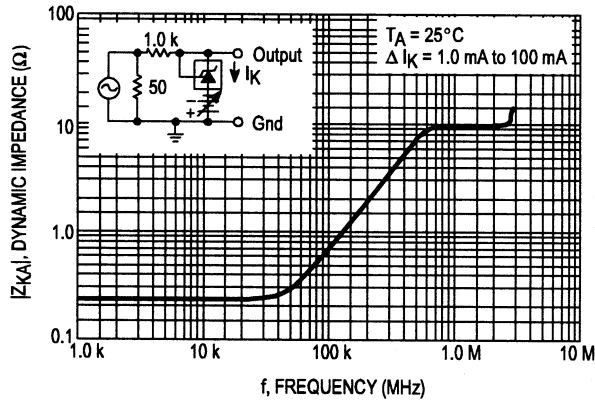


Fig 25. Dynamic impedance versus frequency

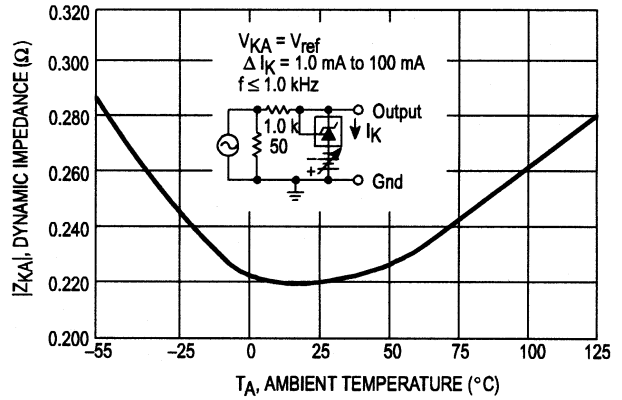


Fig 26. Dynamic impedance versus ambient temperature

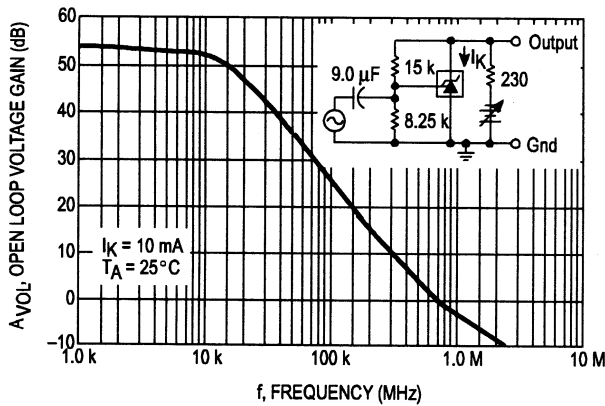


Fig 27. Open loop voltage gain versus frequency

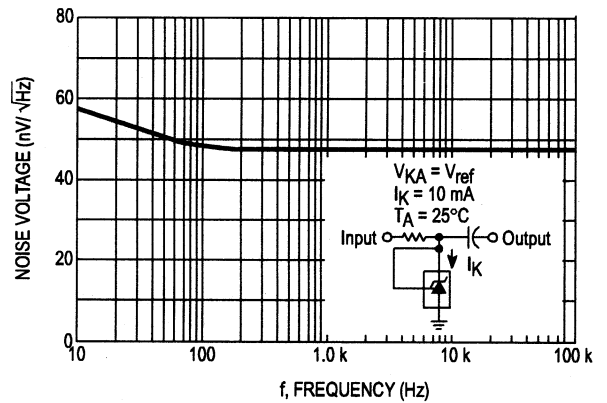


Fig 28. Spectral noise density

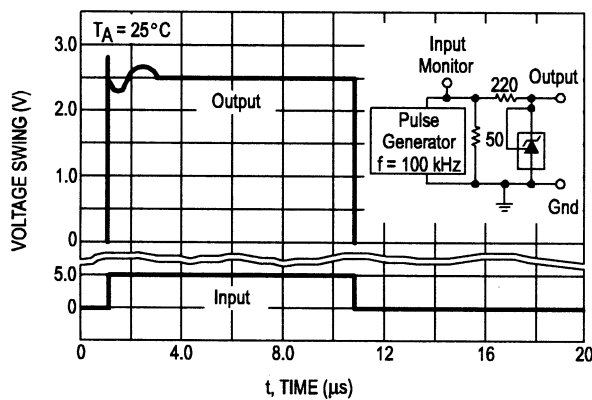


Fig 29. Pulse response

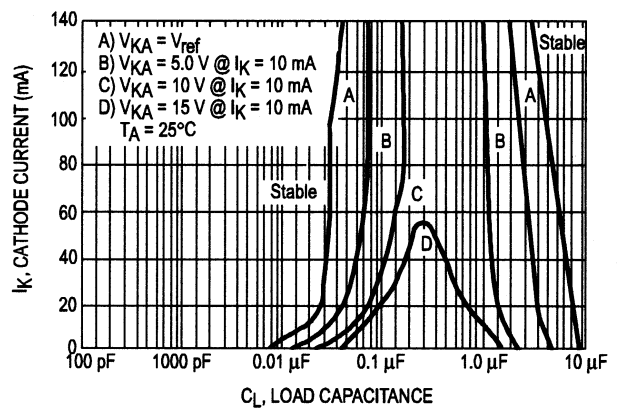


Fig 30. Stability boundary conditions



ORDER INFORMATION

DEVICE	TEMPERATURE RANGE	PACKAGE
TL431BCT 0.5%	-20~+85°C	TO-92
TL431ACT 1%	-20~+85°C	TO-92
TL431CT 2%	-20~+85°C	TO-92
TL431BCP 0.5%	-20~+85°C	DIP-8
TL431ACP 1%	-20~+85°C	DIP-8
TL431CP 2%	-20~+85°C	DIP-8
TL431BCD 0.5%	-20~+85°C	SOP-8
TL431ACD 1%	-20~+85°C	SOP-8
TL431CD 2%	-20~+85°C	SOP-8
TL431BCLT1 0.5%	-20~+85°C	SOT-23
TL431ACL1 1%	-20~+85°C	SOT-23
TL431CL1 2%	-20~+85°C	SOT-23
TL431BCH 0.5%	-20~+85°C	SOT-89
TL431ACH 1%	-20~+85°C	SOT-89
TL431CH 2%	-20~+85°C	SOT-89