



# TIP41A/41B/41C TIP42A/42C

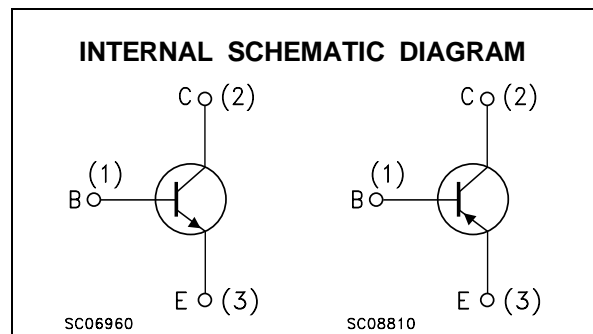
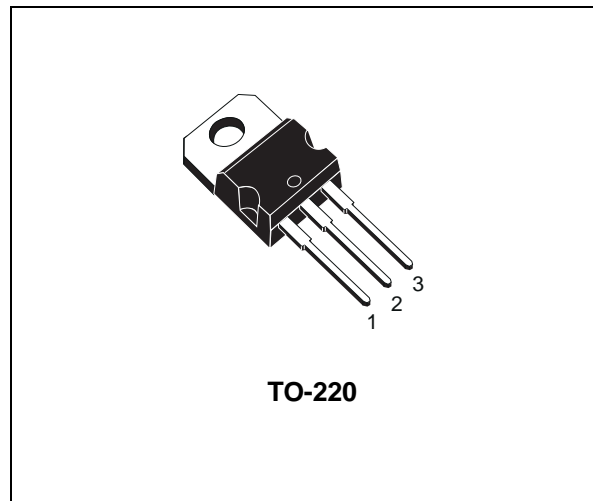
## COMPLEMENTARY SILICON POWER TRANSISTORS

### ■ COMPLEMENTARY PNP - NPN DEVICES

#### DESCRIPTION

The TIP41A, TIP41B and TIP41C are silicon Epitaxial-Base NPN power transistors mounted in Jedec TO-220 plastic package. They are intended for use in medium power linear and switching applications.

The TIP41A and TIP41C complementary PNP types are TIP42A and TIP42C respectively.



### ABSOLUTE MAXIMUM RATINGS

| Symbol    | Parameter  | Value      |                  |                  | Unit |                  |
|-----------|--|------------|------------------|------------------|------|------------------|
|           |  | NPN<br>PNP | TIP41A<br>TIP42A | TIP41B<br>TIP41C |      | TIP41C<br>TIP42C |
| $V_{CBO}$ | Collector-Base Voltage ( $I_E = 0$ )   |            | 60               | 80               | 100  | V                |
| $V_{CEO}$ | Collector-Emitter Voltage ( $I_B = 0$ )  |            | 60               | 80               | 100  | V                |
| $V_{EBO}$ | Emitter-Base Voltage ( $I_C = 0$ )   |            | 5                |                  |      | V                |
| $I_C$     | Collector Current  |            | 6                |                  |      | A                |
| $I_{CM}$  | Collector Peak Current   |            | 10               |                  |      | A                |
| $I_B$     | Base Current   |            | 3                |                  |      | A                |
| $P_{tot}$ | Total Dissipation at $T_{case} \leq 25\text{ }^\circ\text{C}$<br>$T_{amb} \leq 25\text{ }^\circ\text{C}$ |            | 65               |                  |      | W                |
|           |  |            | 2                |                  |      | W                |
| $T_{stg}$ | Storage Temperature  |            | -65 to 150       |                  |      | $^\circ\text{C}$ |
| $T_j$     | Max. Operating Junction Temperature  |            | 150              |                  |      | $^\circ\text{C}$ |

For PNP types voltage and current values are negative.

## TIP41A/TIP41B/TIP41C/TIP42A/TIP42C

### THERMAL DATA

|                       |                                     |     |      |      |
|-----------------------|-------------------------------------|-----|------|------|
| R <sub>thj-case</sub> | Thermal Resistance Junction-case    | Max | 1.92 | °C/W |
| R <sub>thj-amb</sub>  | Thermal Resistance Junction-ambient | Max | 62.5 | °C/W |

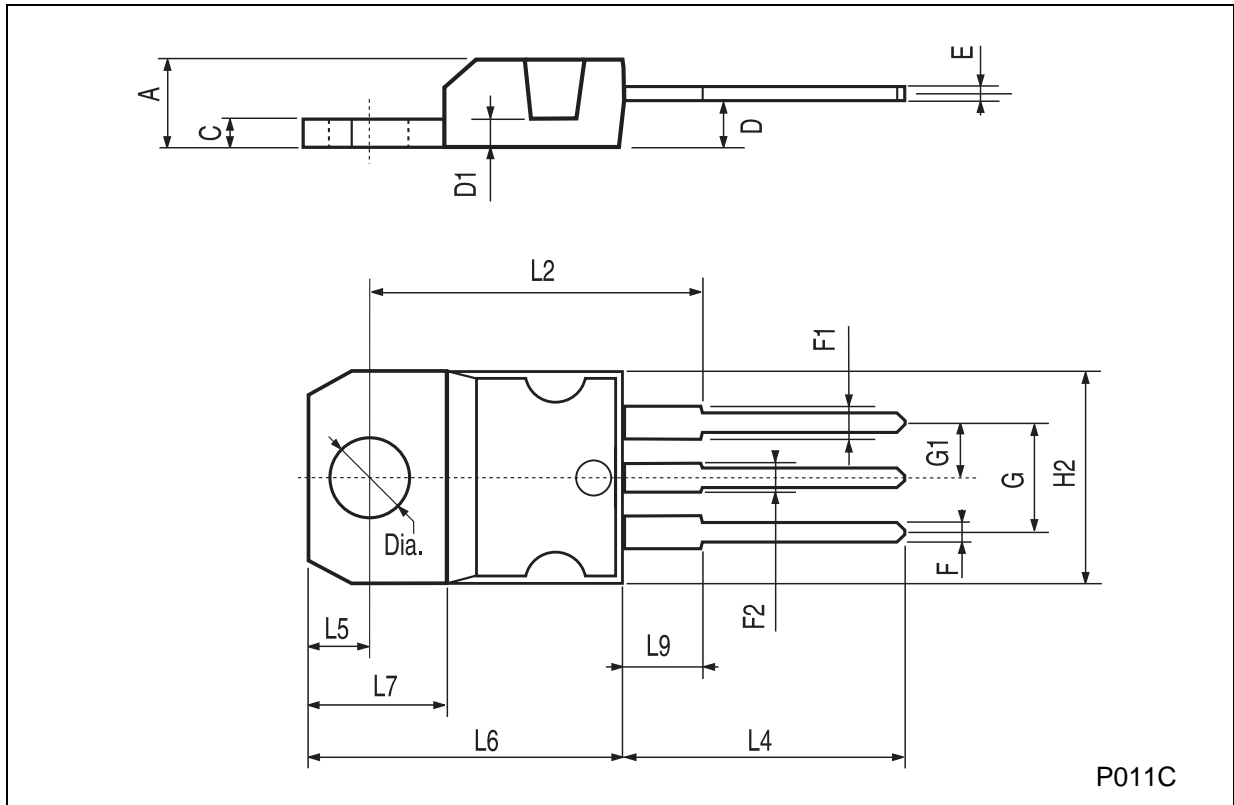
### ELECTRICAL CHARACTERISTICS (T<sub>case</sub> = 25 °C unless otherwise specified)

| Symbol                  | Parameter   | Test Conditions   | Min.            | Typ. | Max.              | Unit           |
|-------------------------|---|---|-----------------|------|-------------------|----------------|
| I <sub>CEO</sub>        | Collector Cut-off Current (I <sub>B</sub> = 0)            | for <b>TIP41A/42A</b> V <sub>CE</sub> = 30 V<br>for <b>TIP41B/41C/42C</b> V <sub>CE</sub> = 60 V  |                 |      | 0.7<br>0.7        | mA<br>mA       |
| I <sub>CES</sub>        | Collector Cut-off Current (V <sub>BE</sub> = 0)           | for <b>TIP41A/42A</b> V <sub>CE</sub> = 60 V<br>for <b>TIP41B</b> V <sub>CE</sub> = 80 V<br>for <b>TIP41C/42C</b> V <sub>CE</sub> = 100 V |                 |      | 0.4<br>0.4<br>0.4 | mA<br>mA<br>mA |
| I <sub>EBO</sub>        | Emitter Cut-off Current (I <sub>C</sub> = 0)              | V <sub>EB</sub> = 5 V   |                 |      | 1                 | mA             |
| V <sub>CEO(sus)</sub> * | Collector-Emitter Sustaining Voltage (I <sub>B</sub> = 0) | I <sub>C</sub> = 30 mA<br>for <b>TIP41A/42A</b><br>for <b>TIP41B</b><br>for <b>TIP41C/42C</b>   | 60<br>80<br>100 |      |                   | V<br>V<br>V    |
| V <sub>CE(sat)</sub> *  | Collector-Emitter Saturation Voltage                      | I <sub>C</sub> = 6 A I <sub>B</sub> = 0.6 A   |                 |      | 1.5               | V              |
| V <sub>BE(on)</sub> *   | Base-Emitter Voltage                                      | I <sub>C</sub> = 6 A V <sub>CE</sub> = 4 V  |                 |      | 2                 | V              |
| h <sub>FE</sub> *       | DC Current Gain   | I <sub>C</sub> = 0.3 A V <sub>CE</sub> = 4 V<br>I <sub>C</sub> = 3 A V <sub>CE</sub> = 4 V  | 30<br>15        |      | 75                |                |
| h <sub>fe</sub>         | Small Signal Current Gain                                 | I <sub>C</sub> = 0.5 A V <sub>CE</sub> = 10 V f = 1 KHz<br>I <sub>C</sub> = 0.5 A V <sub>CE</sub> = 10 V f = 1 MHz                        | 20<br>3         |      |                   |                |

\* Pulsed: Pulse duration = 300 μs, duty cycle ≤ 2 %  
For PNP types voltage and current values are negative.

**TO-220 MECHANICAL DATA**

| DIM. | mm    |      |       | inch  |       |       |
|------|-------|------|-------|-------|-------|-------|
|      | MIN.  | TYP. | MAX.  | MIN.  | TYP.  | MAX.  |
| A    | 4.40  |      | 4.60  | 0.173 |       | 0.181 |
| C    | 1.23  |      | 1.32  | 0.048 |       | 0.051 |
| D    | 2.40  |      | 2.72  | 0.094 |       | 0.107 |
| D1   |       | 1.27 |       |       | 0.050 |       |
| E    | 0.49  |      | 0.70  | 0.019 |       | 0.027 |
| F    | 0.61  |      | 0.88  | 0.024 |       | 0.034 |
| F1   | 1.14  |      | 1.70  | 0.044 |       | 0.067 |
| F2   | 1.14  |      | 1.70  | 0.044 |       | 0.067 |
| G    | 4.95  |      | 5.15  | 0.194 |       | 0.203 |
| G1   | 2.4   |      | 2.7   | 0.094 |       | 0.106 |
| H2   | 10.0  |      | 10.40 | 0.393 |       | 0.409 |
| L2   |       | 16.4 |       |       | 0.645 |       |
| L4   | 13.0  |      | 14.0  | 0.511 |       | 0.551 |
| L5   | 2.65  |      | 2.95  | 0.104 |       | 0.116 |
| L6   | 15.25 |      | 15.75 | 0.600 |       | 0.620 |
| L7   | 6.2   |      | 6.6   | 0.244 |       | 0.260 |
| L9   | 3.5   |      | 3.93  | 0.137 |       | 0.154 |
| DIA. | 3.75  |      | 3.85  | 0.147 |       | 0.151 |



Information furnished is believed to be accurate and reliable. However, STMicroelectronics assumes no responsibility for the consequences of use of such information nor for any infringement of patents or other rights of third parties which may result from its use. No license is granted by implication or otherwise under any patent or patent rights of STMicroelectronics. Specification mentioned in this publication are subject to change without notice. This publication supersedes and replaces all information previously supplied. STMicroelectronics products are not authorized for use as critical components in life support devices or systems without express written approval of STMicroelectronics.

The ST logo is a trademark of STMicroelectronics

© 1999 STMicroelectronics – Printed in Italy – All Rights Reserved

STMicroelectronics GROUP OF COMPANIES

Australia - Brazil - China - Finland - France - Germany - Hong Kong - India - Italy - Japan - Malaysia - Malta - Morocco -  
Singapore - Spain - Sweden - Switzerland - United Kingdom - U.S.A.

<http://www.st.com>