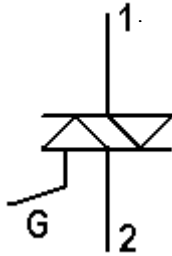
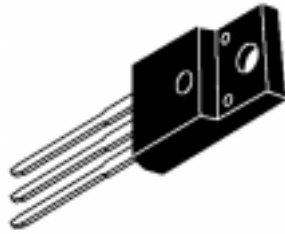


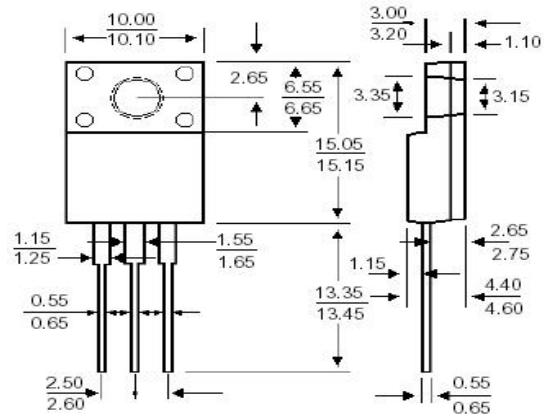
FTC12A40~60F

**DESCRIPTION**



**ITO-220**

**MECHANICAL DIMENSION**



**DIMENSION IN MM**

FOR USE IN HIGH BIDIRECTIONAL TRANSIENT AND BLOCKING VOLTAGE APPLICATIONS, AND FOR HIGH THERMAL CYCLING PERFORMANCE.

TYPICAL APPLICATION INCLUDING MOTOR CONTROL, INDUSTRIAL AND DOMESTIC, LIGHTING, HEATING, COPIER, MICROWAVE AND STATIC SWITCH

Parameters MAX RATINGS	Symbol	<b>FTC12A40F</b>	<b>FTC12A60F</b>
R.M.S. ON – STATE CURRENT TC=89	IT (RMS)	12A	
REPETITIVE PEAK OFF-STATE VOLTAGE	VDRM	400V	600V
SURGE ON-STATE CURRENT FULL SINE WAVE 50/60HZ PEAK NON-REPETITIVE	ITSM	119A@50HZ / 130A@60HZ	
I <sup>2</sup> T FOR FUSE	I <sup>2</sup> T	71A <sup>2</sup> S	
PEAK GATE POWER DISSIPATION	PG	5W	
AVERAGE PEAK GATE POWER DISSIPATION	PGAV	0.5W	
PEAK GATE CURRENT	IGM	2A	
PEAK GATE VOLTAGE	VGM	10V	
OPERATING JUNCTION and STORAGE TEMPERATURE RANGE	To/Ts	-40~+125	

**ELECTRICAL CHARACTERISTICS T<sub>j</sub>=125**

OFF-STATE LEAKAGE CURRENT V <sub>D</sub> =V <sub>DRM</sub>	IDRM	MAX 2mA
ON-STATE VOLTAGE IT=12A, INST	V <sub>TM</sub>	MAX 1.4V
NON-TRIGGER GATE VOLTAGE V <sub>D</sub> =1/2V <sub>DRM</sub>	V <sub>GD</sub>	MIN 0.2V
CRITICAL RATE OF RISE OFF-STATE VOLTAGE	(dv/dt) <sub>c</sub>	MIN 10V/uS
HOLDING CURRENT	I <sub>H</sub>	TYPE 20mA
THERMAL IMPEDANCE@ JUNCTION TO CASE	R <sub>th(j-c)</sub>	MAX 1.8 /W
GATE TRIGGER CURRENT V <sub>D</sub> =6V, R <sub>L</sub> =10	I <sub>GT</sub>	MAX 30mA
GATE TRIGGER VOLTAGE V <sub>D</sub> =6V, R <sub>L</sub> =10	V <sub>GT</sub>	MAX 1.5V