

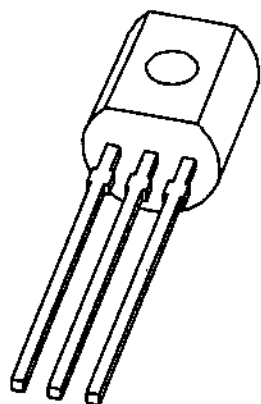
# FCI First Components International

4636 E. Elwood St., Suite Phoenix Arizona, AZ 85040 U.S.A.

TEL: (602) 966-4591 FAX: (602) 966-4796

**DISCRETE SEMICONDUCTORS**

## DATA SHEET



**BC618**

**NPN Darlington transistor**

## NPN Darlington transistor

BC618

## FEATURES

- Low current (max. 500 mA)
- Low voltage (max. 55 V)
- High DC current gain.

## APPLICATIONS

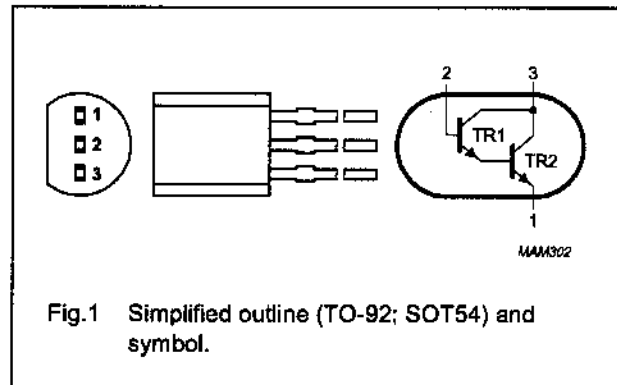
- General purpose low frequency
- Relay drivers.

## DESCRIPTION

NPN Darlington transistor in a TO-92; SOT54 plastic package.

## PINNING

PIN	DESCRIPTION
1	emitter
2	base
3	collector



## LIMITING VALUES

In accordance with the Absolute Maximum Rating System (IEC 134).

SYMBOL	PARAMETER	CONDITIONS	MIN.	MAX.	UNIT
$V_{CBO}$	collector-base voltage	open emitter	-	80	V
$V_{CES}$	collector-emitter voltage	$V_{BE} = 0$	-	55	V
$V_{EBO}$	emitter-base voltage	open collector	-	12	V
$I_C$	collector current (DC)		-	500	mA
$I_{CM}$	peak collector current		-	800	mA
$I_B$	base current (DC)		-	200	mA
$P_{tot}$	total power dissipation	$T_{amb} \leq 25\text{ }^\circ\text{C}$ ; note 1	-	500	mW
$T_{stg}$	storage temperature		-65	+150	$^\circ\text{C}$
$T_j$	junction temperature		-	150	$^\circ\text{C}$
$T_{amb}$	operating ambient temperature		-65	+150	$^\circ\text{C}$

## Note

1. Transistor mounted on an FR4 printed-circuit board.

## NPN Darlington transistor

BC618

## THERMAL CHARACTERISTICS

SYMBOL	PARAMETER	CONDITIONS	VALUE	UNIT
$R_{th(j-a)}$	thermal resistance from junction to ambient	note 1	250	K/W

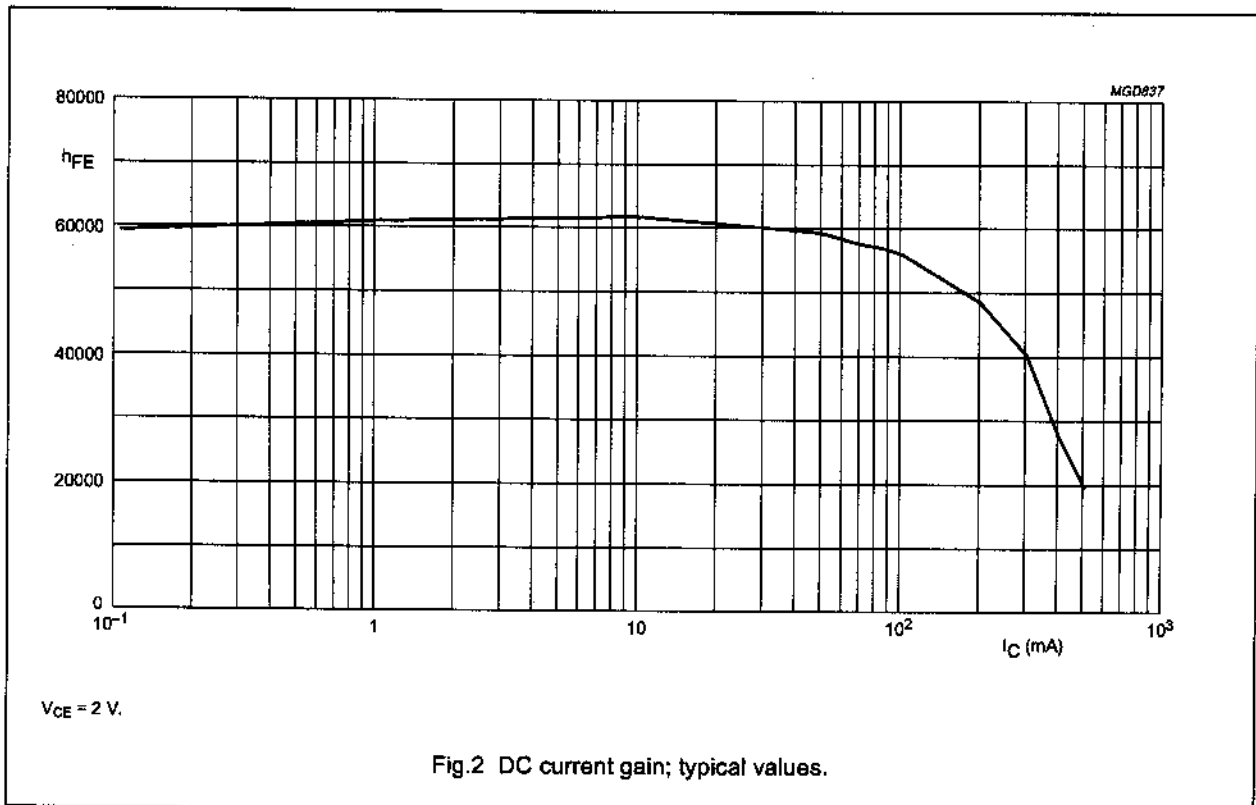
## Note

1. Transistor mounted on an FR4 printed-circuit board.

## CHARACTERISTICS

$T_j = 25\text{ }^\circ\text{C}$  unless otherwise specified.

SYMBOL	PARAMETER	CONDITIONS	MIN.	TYP.	MAX.	UNIT
$I_{CBO}$	collector cut-off current	$I_E = 0; V_{CB} = 60\text{ V}$	–	–	50	nA
$I_{CES}$	collector cut-off current	$V_{BE} = 0; V_{CE} = 60\text{ V}$	–	–	50	$\mu\text{A}$
$I_{EBO}$	emitter cut-off current	$I_C = 0; V_{EB} = 10\text{ V}$	–	–	50	nA
$h_{FE}$	DC current gain	$I_C = 1\text{ mA}; V_{CE} = 5\text{ V}; \text{ see Fig.2}$	2000	–	–	
		$I_C = 10\text{ mA}; V_{CE} = 5\text{ V}; \text{ see Fig.2}$	4000	–	–	
		$I_C = 200\text{ mA}; V_{CE} = 5\text{ V}; \text{ see Fig.2}$	10000	–	70000	
$V_{CEsat}$	collector-emitter saturation voltage	$I_C = 200\text{ mA}; I_B = 0.2\text{ mA}$	–	–	1.1	V
$V_{BEsat}$	base-emitter saturation voltage	$I_C = 200\text{ mA}; I_B = 0.2\text{ mA}$	–	–	1.6	V
$C_c$	collector capacitance	$I_E = 0; V_{CB} = 30\text{ V}$	–	3.5	–	pF
$f_T$	transition frequency	$I_C = 500\text{ mA}; V_{CE} = 5\text{ V}; f = 100\text{ MHz}$	155	–	–	MHz



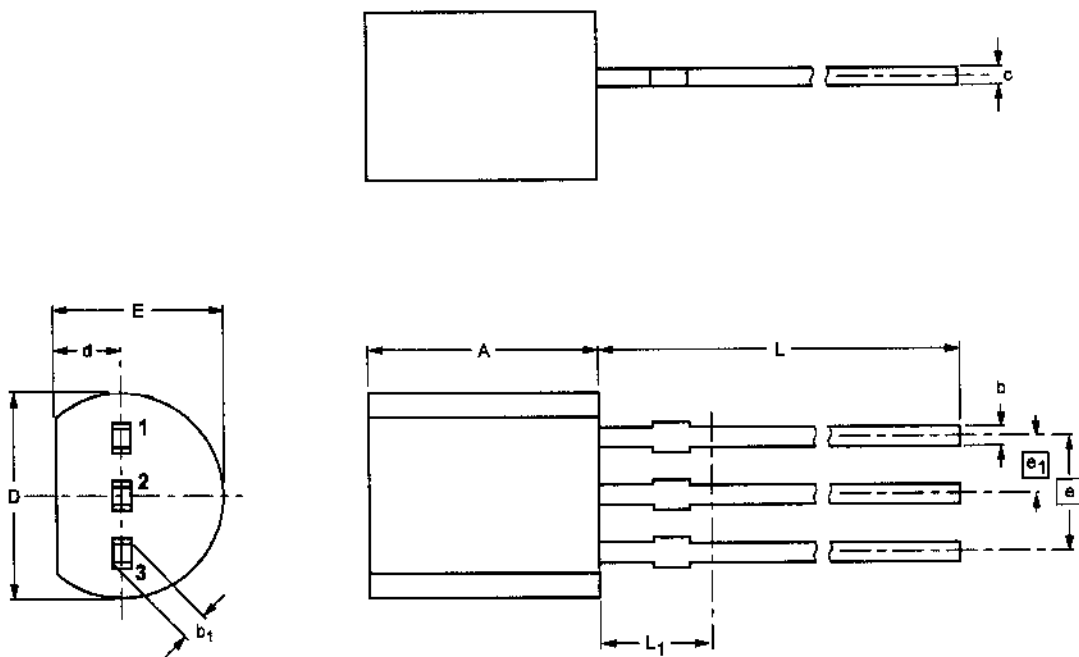
NPN Darlington transistor

BC618

PACKAGE OUTLINE

Plastic single-ended leaded (through hole) package; 3 leads

SOT54



DIMENSIONS (mm are the original dimensions)

UNIT	A	b	b <sub>1</sub>	c	D	d	E	e	e <sub>1</sub>	L	L <sub>1</sub> <sup>(1)</sup>
mm	5.2 5.0	0.48 0.40	0.66 0.56	0.45 0.40	4.8 4.4	1.7 1.4	4.2 3.6	2.54	1.27	14.5 12.7	2.5

Note

1. Terminal dimensions within this zone are uncontrolled to allow for flow of plastic and terminal irregularities.

OUTLINE VERSION	REFERENCES				EUROPEAN PROJECTION	ISSUE DATE
	IEC	JEDEC	EIAJ			
SOT54		TO-92	SC-43			97-02-28

NPN Darlington transistor

BC618

**DEFINITIONS**

<b>Data sheet status</b>	
Objective specification	This data sheet contains target or goal specifications for product development.
Preliminary specification	This data sheet contains preliminary data; supplementary data may be published later.
Product specification	This data sheet contains final product specifications.
<b>Limiting values</b>	
Limiting values given are in accordance with the Absolute Maximum Rating System (IEC 134). Stress above one or more of the limiting values may cause permanent damage to the device. These are stress ratings only and operation of the device at these or at any other conditions above those given in the Characteristics sections of the specification is not implied. Exposure to limiting values for extended periods may affect device reliability.	
<b>Application information</b>	
Where application information is given, it is advisory and does not form part of the specification.	

**LIFE SUPPORT APPLICATIONS**

These products are not designed for use in life support appliances, devices, or systems where malfunction of these products can reasonably be expected to result in personal injury. Philips customers using or selling these products for use in such applications do so at their own risk and agree to fully indemnify Philips for any damages resulting from such improper use or sale.