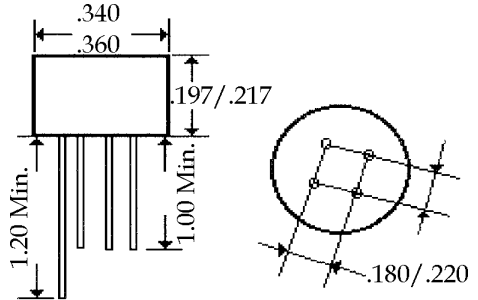




Description

1.5 Amp GLASS PASSIVATED SINGLE PHASE SILICON BRIDGE

Mechanical Dimensions



(Dimensions in inches)

Mechanical Data: Mounting Position - Any.
Weight - 1.1 Grams.

Features

- COMPACT SIZE
- LOW LEAKAGE CURRENT
- GLASS PASSIVATED JUNCTIONS
- 200 AMP SURGE OVERLOAD RATING
- MEETS UL SPECIFICATION 94V-0

W005G ... 10G Series								Units
Maximum Ratings	W005G	W01G	W02G	W04G	W06G	W08G	W10G	
Peak Repetitive Reverse Voltage... V_{RRM}	50	100	200	400	600	800	1000	Volts
RMS Reverse Voltage... $V_{R(ms)}$	35	70	140	280	420	560	700	Volts
DC Blocking Voltage... V_{DC}	50	100	200	400	600	800	1000	Volts
Average Forward Rectified Current... $I_{F(av)}$ $T_A = 25^\circ C$			1.5			Amps
Non-Repetitive Peak Forward Surge Current... I_{FSM} 8.3 ms Single 1/2 Sine Wave Imposed on Rated Load			50			Amps
Operating & Storage Temperature Range... T_J, T_{STRG}			-55 to 125			°C
Electrical Characteristics								
Maximum Forward Voltage... V_F Per Bridge Element @ 1.0 Amp			1.0			Volts
Maximum DC Reverse Current Per Bridge Element... I_R @ Rated DC Blocking Voltage $T_A = 25^\circ C$ $T_A = 100^\circ C$			1.0			μ Amps mAmps