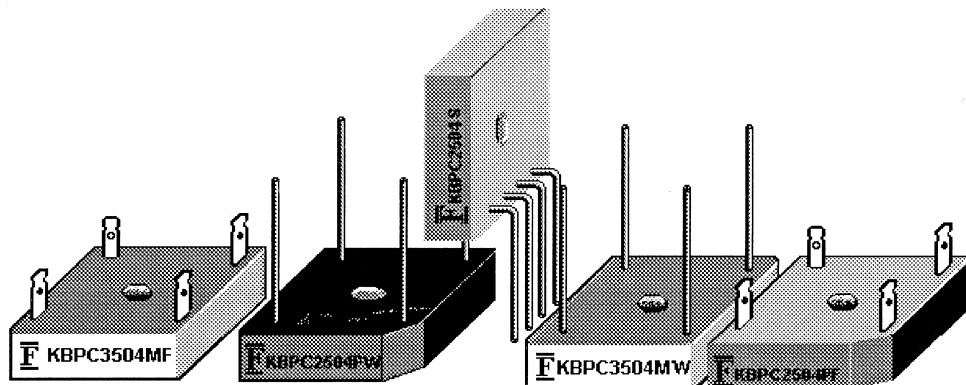




Description

Mechanical Dimensions

KBPC4000~4010



KBPC-PF

Dimensions in mm

Feature

Mechanical Data

- Surge overload 400A
- Low forward voltage drop
- Mounting Position: Any
- Electrically isolated base-2000Volts
- Solderable 0.25" Faston Terminals
- Materials used carries U/L recognition

- Case: Molded plastic body over passivated junctions
- Polarity: Polarity symbols molded on body
- Terminals: Lead Solderable per MIL-STD-750 Method 2026
- MountingTorque: 5 in-lbs max
- Weight: 19.5 grams(Faston); 14.5grams(Wire Lead)

Max Ratings at Ta=25C Unless Otherwise Specified

Characteristic	Symbol	KBPC4000~4010							Unit
		4000	4001	4002	4004	4006	4008	4010	
Peak Repetitive Reverse Voltage	Vrrm	50	100	200	400	600	800	1000	V
working Peak Reverse Voltage	Vrwm	35	70	140	280	420	560	700	V
DC Blocking Voltage	Vdc	50	100	200	400	600	800	1000	V
Forward Continuous Current	IF(AV)	40							V
Peak Forward Surge Current 10ms Sine pulse, rated Vrrm applied	IFSM	400							A
Max Forward Voltage IF=20A @25C	Vf	1.0							V
Reverse Leakage Current WITH Vr @ 25C/125C	Ir	5.0/500							uA
Operating & Storage Temp. Range	Tj/Ts	-40 ~+125							C
Thermal Resistance Junction to Case	Rthja	2.6							C/W
Thermal Resistance Case to Heatsink	Rthjc	2.3							C/W
Rating for fusing(t<8.3ms)	I ² t	374							C/W



40 Amps Plastic case Silicon Bridge Rectifiers

Rating Characteristic Curves KBPC4000~4010(Ta=25C Unless otherwise noted)

FIG.1-MAXIMUM FORWARD SURGE CURRENT

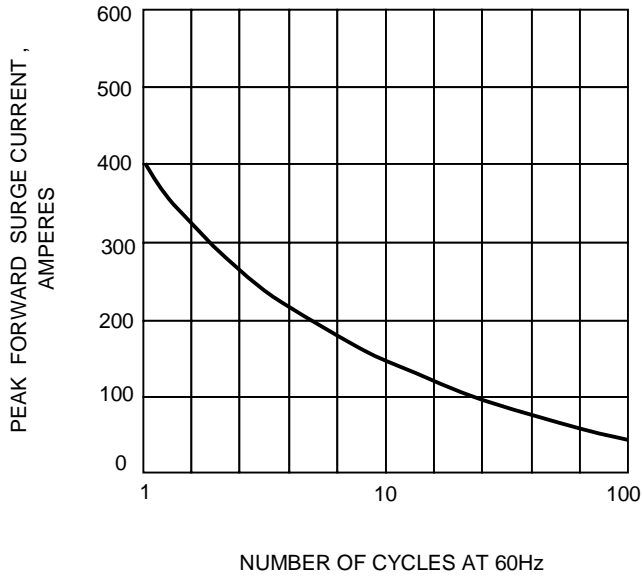


FIG.2- DERATING CURVE OUTPUT RECTIFIED CURRENT

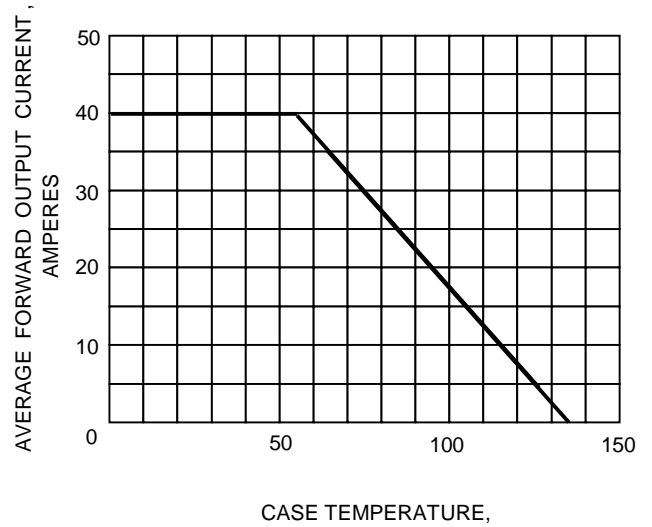


FIG.3-TYPICAL FORWARD CHARACTERISTICS

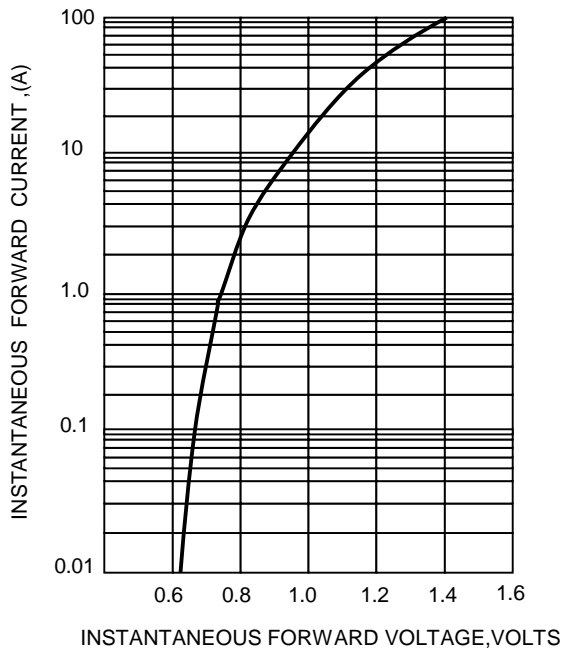
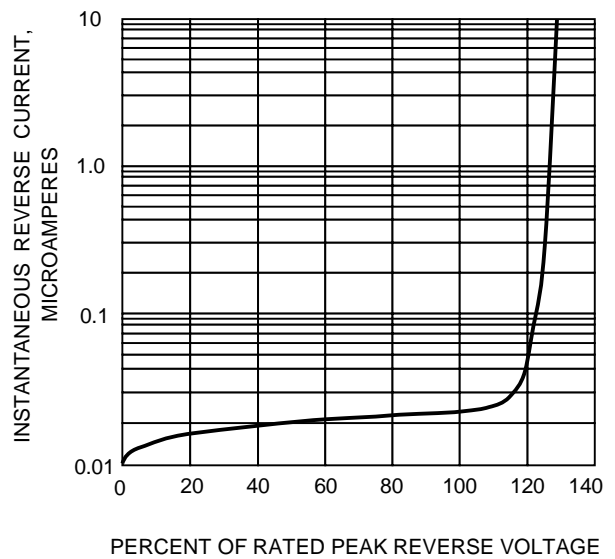
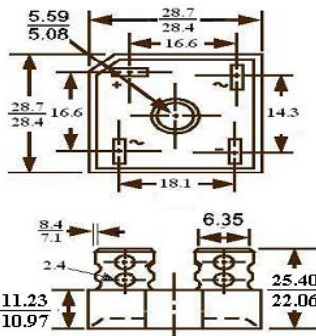


FIG.4-TYPICAL REVERSE CHARACTERISTICS

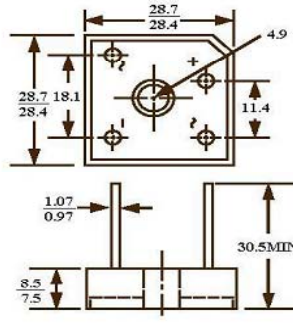




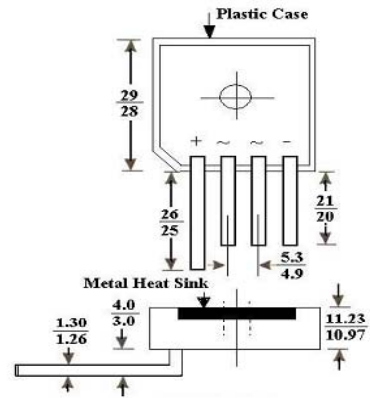
40 Amps Plastic case Silicon Bridge Rectifiers



Plastic Case
Fastons Terminals

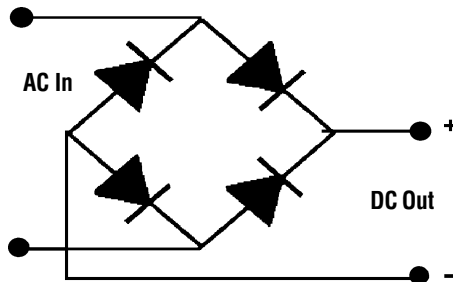


Plastic Case
Wire Leads Terminals



Plastic Case S type
Wire Leads Terminals

KBPC4000~4010



- Case - Metal or Molded Plastic
- Terminals - Plated .25" Faston or Plated Copper Wire Leads .040" Diameter
- Weight - 0.706 Ounces, 20 Grams
- Mounting Position - Any with Bolt Down with Silicone Thermal Compound Between Bridge and Mounting Surface for Optimum Heat Transfer
- Mounting Torque - 20 Inch Pound Max

Ordering Information

FCI'S KBPC Series of Bridges Can Be Ordered with Options on Terminals and Case Materials.

How To Specify Case Material and Terminal Options:

- For Metal Case, Order Suffix (1) "M"
- For Plastic Case, Order Suffix (1) "P"
- For Faston Terminals, Order Suffix (2) "F"
- For Wire Lead Terminals, Order Suffix (2) "W"

KBPC Series Examples

To Order a 25 Amp, 400 Volt Bridge with Faston Leads and a Plastic Case:

Specify - **KBPC2504PF** . . . Where "P" = Plastic and "F" = Faston Terminals

To Order a 35 Amp, 800 Volt Bridge with Wire Leads and a Metal Case:

Specify - **KBPC3508MW** . . . Where "M" = Metal and "W" = Wire Leads (Terminals)

To Order a 15 Amp, 200 Volt, UL Recognized Bridge with Wire Leads and a Plastic Case:

Specify - **KBPC1502PWU** . . . Where "P" = Plastic and "W" = Wire Leads (Terminals) and "U" = UL Recognized

NOTE: Fast Recovery Bridges (Diodes) Are Available; Please Contact FCI Components.

KBPC - "S" Series Examples

To Order Bridges with the "In-Line" Pin Configuration, Select the Current and Voltage Desired and Add "S" as the Suffix, as shown in the following example.

To Order a 35 Amp, 800 Volt Bridge with In-Line Wire Leads:

Specify - **KBPC3508S** . . . Where "S" = In-Line Wire Lead Terminals