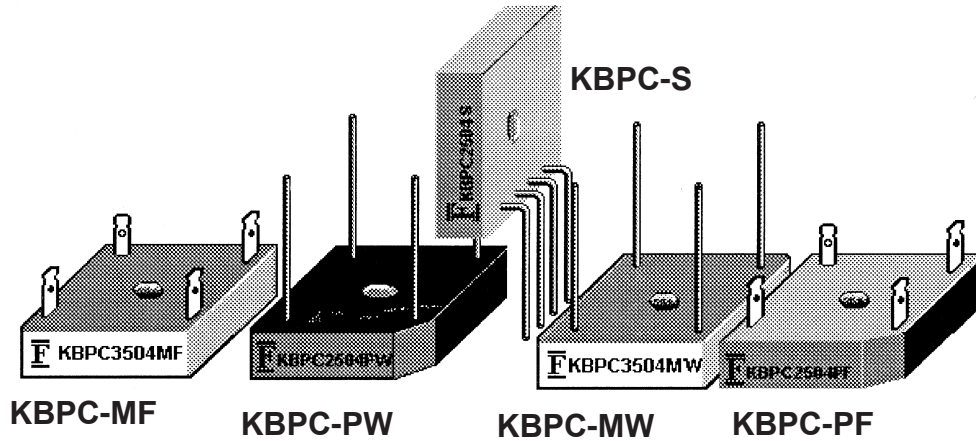


**Description**

**KBPC1500~1512**



Dimensions in millimeters (1mm=0.0394")

**Features**

- Surge overload ratings to 300 amperes
- This series is UL listed under the Recognized Component Index, file number E142814
- The plastic material used carries Underwriters Laboratory flammability recognition 94V-0
- Universal 4-way terminals, snap-on, wrap-around, solder or P.C. Board mounting
- High temperature soldering guaranteed 265 C/10 seconds at 5 lbs (2.3kg) tension

**Mechanical Data**

- Case: Metal case
- Terminals: Plated .25" (6.53mm) Faston
- Mounting Position: Bolt down on heat-sink with silicone thermal compound between bridges and mounting surface for maximum heat transfer efficiency
- Mounting Position: Any
- Weight: 0.706 ounce, 20 grams (approx)

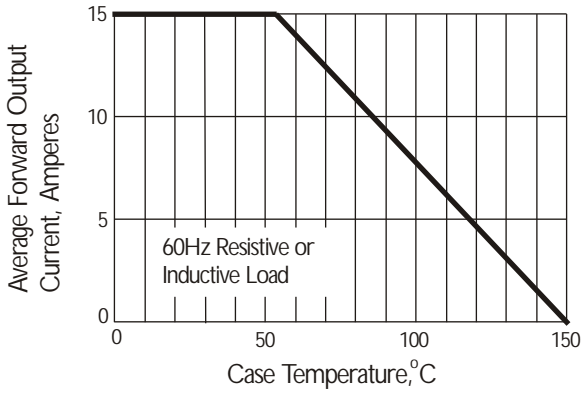
**Maximum Ratings & Thermal Characteristics**

Rating at 25°C ambient temperature unless otherwise specified, Resistive or Inductive load, 60 Hz.  
For Capacitive load derate current by 20%.

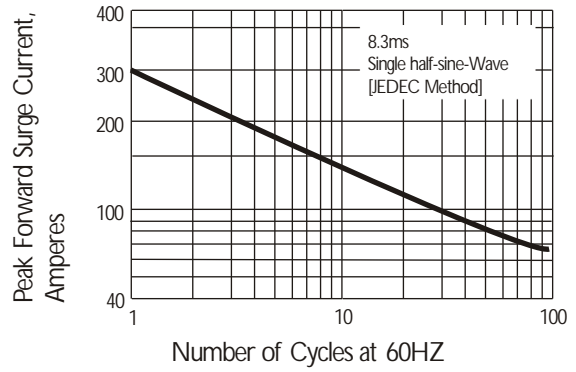
Parameter	Symbol	KBPC 1500	KBPC 1501	KBPC 1502	KBPC 1504	KBPC 1506	KBPC 1508	KBPC 1510	KBPC 1512	unit
Maximum repetitive peak reverse voltage	VRRM	50	100	200	400	600	800	1000	1200	V
Maximum RMS bridge input voltage	VRMS	35	70	140	280	420	560	700	840	V
Maximum DC blocking voltage	VDC	50	100	200	400	600	800	1000	1200	V
Maximum average forward rectified output current at TA=55°C	IF(AV)	15								A
Peak forward surge current single sine-wave superimposed on rated load (JEDEC Method)	IFSM	300								A
Rating for fusing ( t<8.3ms)	I <sup>2</sup> t	374								A <sup>2</sup> sec
Typical thermal resistance per element (1)	ReJA	2.1								°C/W
Isolation voltage from case to leads		2500								Vac
Operating junction and storage temperature range	TJ, TSTG	-55 to + 150								°C
MAX instantaneous forward voltage drop / leg 7.5A	VF	1.0								V
MAX DC reverse current at rated Ta=25C°	IR	10								uA
DC blocking voltage per element Ta=125C°		500								uA

**Rating and Characteristic Curves** (  $T_A = 25^{\circ}\text{C}$  Unless otherwise noted )  
**KBPC15005 thru KBPC1512**

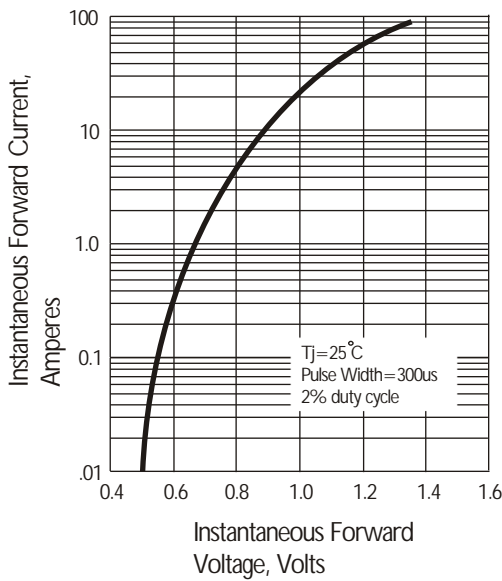
**Fig. 1 Derating Curve for Output Rectified Current**



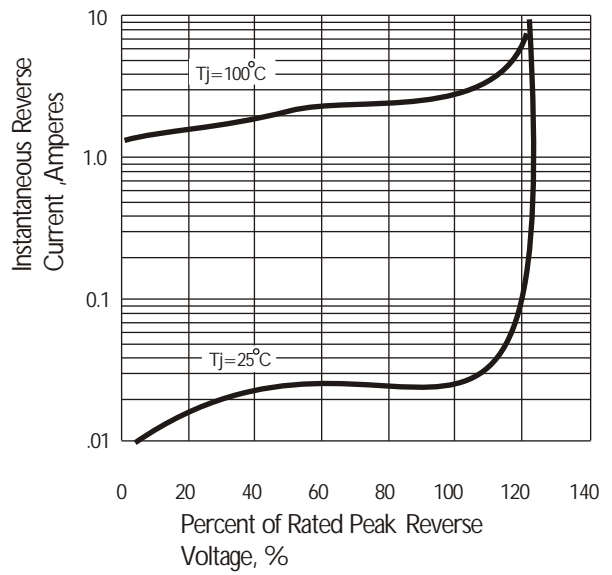
**Fig. 2 Maximum Non-repetitive Peak Forward Surge Current**



**Fig. 3 Typical Instantaneous Forward Characteristics**

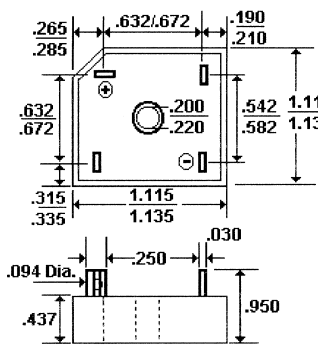


**Fig. 4 Typical Reverse Characteristics at  $T_J = 25^{\circ}\text{C}$**

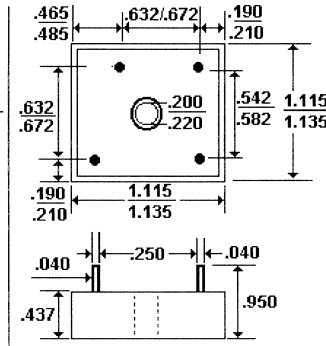


# 15Amps Single Phase Silicon Bridge

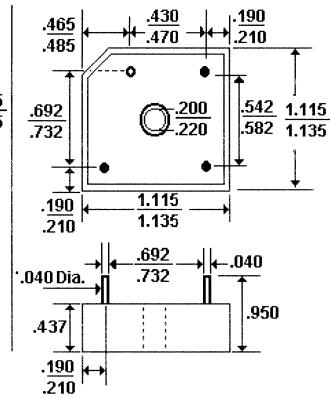
**KBPC1500~1512**



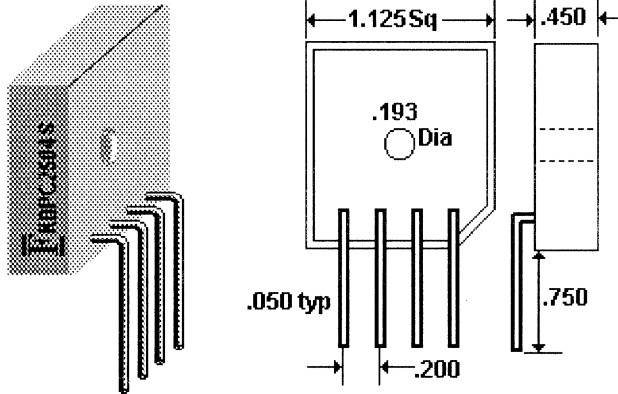
Plastic Case/Fastons



Metal Case/Wire Leads



Plastic Case/Wire Leads



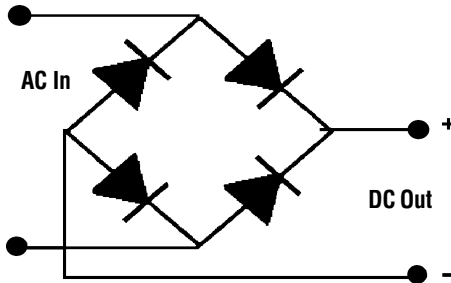
Ratings at 25 Deg. C ambient temperature unless otherwise specified.

Single Phase Half Wave, 60 HZ Resistive or Inductive Load.

For Capacitive Load, Derate Current by 20%.

- NOTES:**
1. Corrosion-Resistant Terminals Designed for .250" Female Quick Connect Wrap Around or Solder.
  2. A Thin Film of Silicone Thermal Compound is Recommended Between Bridge and Mounting Surface for Improved Thermal Conduction.
  3. These FCI Bridges Are Also Available in Fast Recovery, In Positive and Negative Center Tap and in Double Configurations. Consult with FCI for Your Special Requirements.

**KBPC1500~1512**



Case - Metal or Molded Plastic

Terminals - Plated .25" Faston or Plated Copper Wire Leads .040" Diameter

Weight - 0.706 Ounces, 20 Grams

Mounting Position - Any with Bolt Down with Silicone Thermal Compound Between Bridge and Mounting Surface for Optimum Heat

Transfer

Mounting Torque - 20 Inch Pound Max

### Ordering Information

FCI'S KBPC Series of Bridges Can Be Ordered with Options on Terminals and Case Materials.

#### How To Specify Case Material and Terminal Options:

- For Metal Case, Order Suffix (1) "M"
- For Plastic Case, Order Suffix (1) "P"
- For Faston Terminals, Order Suffix (2) "F"
- For Wire Lead Terminals, Order Suffix (2) "W"

### KBPC Series Examples

To Order a 25 Amp, 400 Volt Bridge with Faston Leads and a Plastic Case:

Specify - **KBPC2504PF** . . . Where "P" = Plastic and "F" = Faston Terminals

To Order a 35 Amp, 800 Volt Bridge with Wire Leads and a Metal Case:

Specify - **KBPC3508MW** . . . Where "M" = Metal and "W" = Wire Leads (Terminals)

To Order a 15 Amp, 200 Volt, UL Recognized Bridge with Wire Leads and a Plastic Case:

Specify - **KBPC1502PWU** . . . Where "P" = Plastic and "W" = Wire Leads (Terminals) and "U" = UL Recognized

**NOTE:** Fast Recovery Bridges (Diodes) Are Available; Please Contact FCI Components.

### KBPC - "S" Series Examples

To Order Bridges with the "In-Line" Pin Configuration, Select the Current and Voltage Desired and Add "S" as the Suffix, as shown in the following example.

To Order a 35 Amp, 800 Volt Bridge with In-Line Wire Leads:

Specify - **KBPC3508S** . . . Where "S" = In-Line Wire Lead Terminals