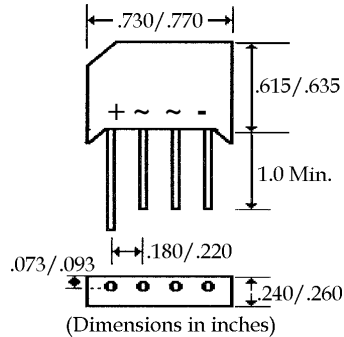
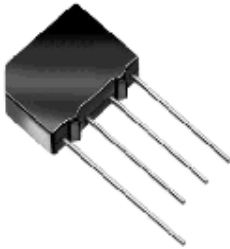


4.0 Amp SINGLE PHASE SILICON BRIDGE Mechanical Dimensions

KBL400 . . . 410 Series



Mechanical Data: Mounting Position - Any.
Weight - 0.3 Ounce.

Features

- COMPACT SIZE
- LOW LEAKAGE CURRENT
- 200 AMP SURGE OVERLOAD RATING
- MEETS UL SPECIFICATION 94V-0

KBL400 . . . 410 Series								Units
Maximum Ratings	KBL400	KBL401	KBL402	KBL404	KBL406	KBL408	KBL410	
Peak Repetitive Reverse Voltage... V_{RRM}	50	100	200	400	600	800	1000	Volts
RMS Reverse Voltage... $V_{R(rms)}$	35	70	140	280	420	560	700	Volts
DC Blocking Voltage... V_{DC}	50	100	200	400	600	800	1000	Volts
Average Forward Rectified Current... $I_{F(av)}$ $T_A = 25^\circ C$			4.0			Amps
Non-Repetitive Peak Forward Surge Current... I_{FSM} 8.3 ms Single 1/2 Sine Wave Imposed on Rated Load			200			Amps
Operating & Storage Temperature Range... T_J, T_{STRG}			-55 to 150			°C
Electrical Characteristics								
Maximum Forward Voltage... V_F Per Bridge Element @ 4.0 Amps			1.1			Volts
Maximum DC Reverse Current Per Bridge Element... I_R @ Rated DC Blocking Voltage			10			μAmps mAmps
			5.0			
Typical Thermal Resistance... $R_{\theta JC}$			10			°C/W