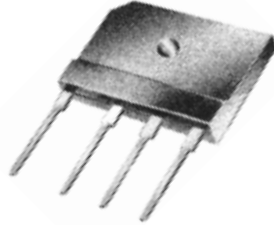




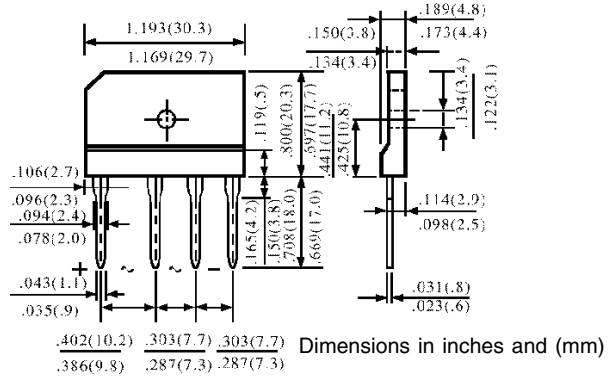
6.0 Amp GLASS PASSIVATED SINGLE PHASE SILICON BRIDGE

GBJ6005 . . . 610 Series

Description



Mechanical Dimensions



Features

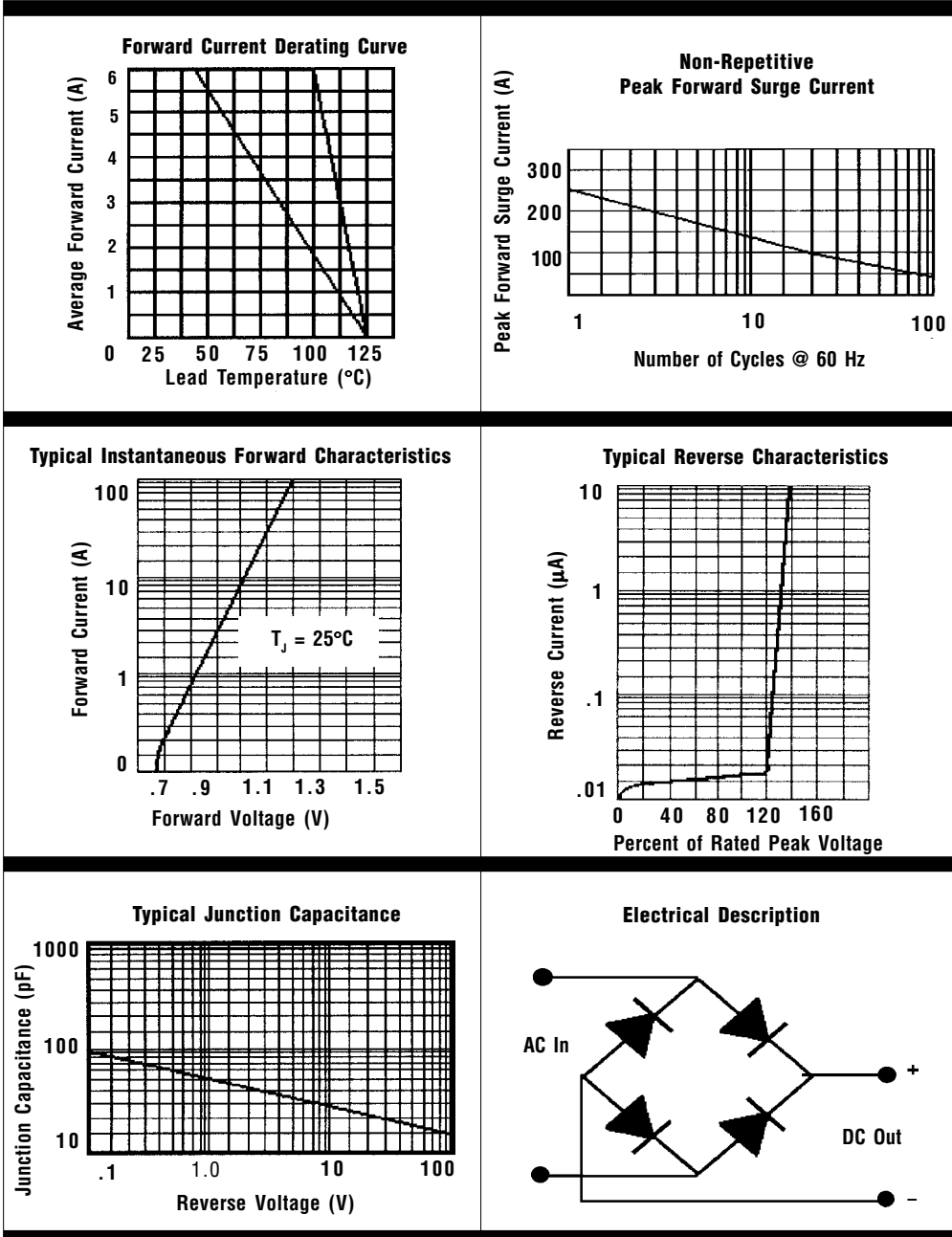
- GLASS PASSIVATED DIE
- LOW LEAKAGE CURRENT
- CASE DIELECTRIC OF STRENGTH OF 1500V
- 170 AMP SURGE OVERLOAD RATING
- MEETS UL SPECIFICATION 94V-0
- LOW REVERSE CURRENT

GBJ6005 . . . 610 Series								Units
Maximum Ratings	GBJ6005	GBJ601	GBJ602	GBJ604	GBJ606	GBJ608	GBJ610	
Peak Repetitive Reverse Voltage... V_{RRM}	50	100	200	400	600	800	1000	Volts
RMS Reverse Voltage... $V_{R(rms)}$	35	70	140	280	420	560	700	Volts
DC Blocking Voltage... V_{DC}	50	100	200	400	600	800	1000	Volts
Average Forward Rectified Current... I_o $T_c = 110^\circ C$	6.0							Amps
Non-Repetitive Peak Forward Surge Current... I_{FSM} 8.3 ms Single 1/2 Sine Wave Imposed on Rated Load	170							Amps
Operating and Storage Temperature Range... T_J, T_{STRG}	-65 to 150							$^\circ C$
Electrical Characteristics								
Maximum Forward Voltage... V_F Per Bridge Element @ 6.0 Amps	1.0							Volts
Maximum DC Reverse Current Per Bridge Element... I_R @ Rated DC Blocking Voltage $T_A = 25^\circ C$ $T_A = 100^\circ C$	5							$\mu Amps$
	500							$\mu Amps$
Typical Thermal Resistance... $R_{\theta JC}$	10							$^\circ C/W$



6.0 Amp GLASS PASSIVATED SINGLE PHASE SILICON BRIDGE

GBJ6005 . . . 610 Series



Ratings at 25 Deg. C ambient temperature unless otherwise specified.

Single Phase Half Wave, 60 Hz Resistive or Inductive Load.

For Capacitive Load, Derate Current by 20%.