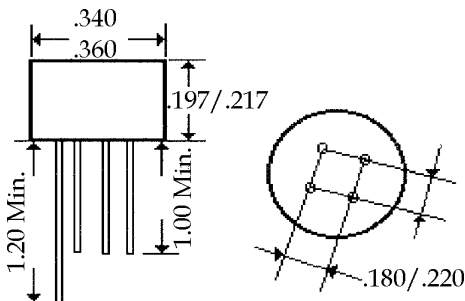




Description

**2.0 Amp
SINGLE PHASE SILICON BRIDGE
Mechanical Dimensions**

2W005 . . . 10 Series



(Dimensions in inches)

Mechanical Data: Mounting Position - Any.
Weight - 1.1 Grams.

Features

- **COMPACT SIZE**
- **200 AMP SURGE OVERLOAD RATING**
- **LOW LEAKAGE CURRENT**
- **MEETS UL SPECIFICATION 94V-0**

2W005 . . . 10 Series								Units
Maximum Ratings	2W005	2W01	2W02	2W04	2W06	2W08	2W10	
Peak Repetitive Reverse Voltage... V_{RRM}	50	100	200	400	600	800	1000	Volts
RMS Reverse Voltage... $V_{R(rms)}$	35	70	140	280	420	560	700	Volts
DC Blocking Voltage... V_{DC}	50	100	200	400	600	800	1000	Volts
Average Forward Rectified Current... $I_{F(av)}$ $T_A = 25^\circ C$				2.0				Amps
Non-Repetitive Peak Forward Surge Current... I_{FSM} 8.3 ms Single 1/2 Sine Wave Imposed on Rated Load				60				Amps
Operating & Storage Temperature Range... T_J, T_{STRG}				-55 to 125				°C
Electrical Characteristics								
Maximum Forward Voltage... V_F Per Bridge Element @ 2.0 Amps				1.0				Volts
Maximum DC Reverse Current Per Bridge Element... I_R @ Rated DC Blocking Voltage				10				μAmps
				$T_A = 25^\circ C$				mAmps
				$T_A = 100^\circ C$				