

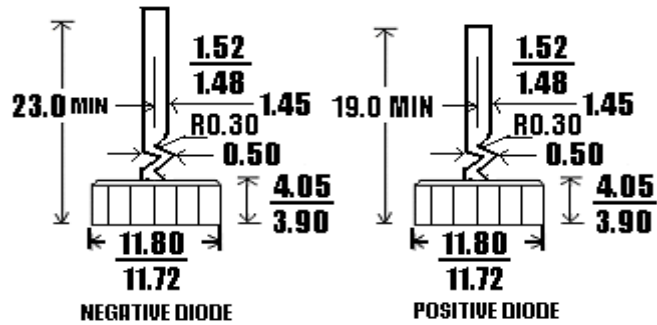
DESCRIPTION

MECHANICAL DIMENSION

PHFR5001~5006



HITACHI PRESSFIT



NEGATIVE DIODE

POSITIVE DIODE

DIMENSION IN MM

FEATURES

Low cost, long Life, Super Cool

Glass Passivated Chips Die size 215x215mil SQ,

Case and Lead both are Nickel Plated Copper, Solderable

High Current Capability

Suffix P mean Anode on Lead Case Color White lead short 19 mm

Suffix N mean Cathode on Lead Case Color Black lead long 23 mm

Maximum Ratings And Electrical Characteristics (Ta=25)

Parameters	Symbol	PHFR			
		5001P/N	5002P/N	5004P/N	5006P/N
Average forward current, I _o at T _c =150 60Hz, Resistive or Inductive Load	I _F	50A			
REPETITIVE PEAK Reverse Voltage	V _{RRM}	100	200	400	600
DC Reverse voltage, V _R	V (DC))	100	200	400	600
Max RMS Voltage	V _{RMS}	70	140	280	420
Max. Inst Forward Voltage Drop. V _F at 80A	V _F	1.1V			
Peak Forward Surge Current, I _{FM} 8.3mS Single Half Sine-Wave	I _{FMS}	500A			
Max. Reverse Current I _R At Rated DC Reverse Voltage. T _c =25	I _R	10uA			
Max. Reverse Current I _R At Rated DC Reverse Voltage. T _c =150	I _R	500uA			
Maximum thermal Resistance, Junction To Case (Single Side Cooled)	R _J	1.2 /W			
Operating and Storage Temperature Range	To/Ts	-65~+175			

