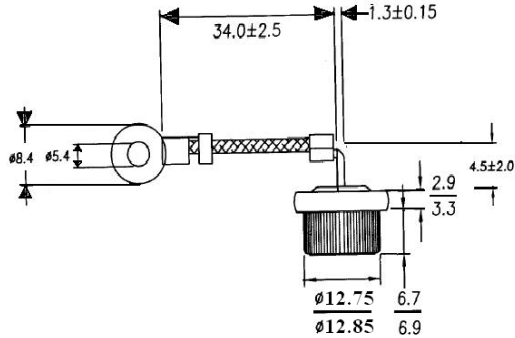
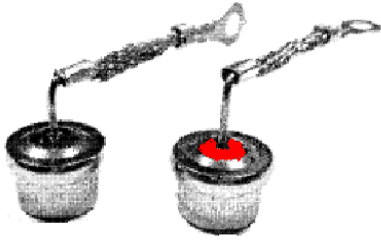


25.0 AMPS **AUTOMOTIVE**
1/2" FLAG LEAD PRESSFIT DIODE

Description

Mechanical Dimensions

PFFR2501~2506-001



FLAG LEAD PRESSFIT

DIMENSIONS IN MILLIMETER

Features

- Outline Free Pb
- High Reliability
- Long Life
- Low Cost
- Super Cool
- High Surge Current Capability

Mechanical Data

- Case: Nickel Plated Copper Solderable
- Terminals: Plated Sn Solderable per MIL-STD-202E method 208C
- Flammability Classifications 94V- 0
- PFFR25xxP---Positive(+): Cathode to Case Color Code RED
- PFFR25xxN---Negative(-): Anode to Case Color Code Black
- : Weight: 13.6 Gram

Max Ratings at Ta=25C Unless Otherwise Specified

Electrical Characteristic	Symbol	PFFR2501~2506-001				Unit
		2501	2502	2504	2506	
Peak Repetitive Reverse Voltage	Vrrm	100	200	400	600	V
working Peak Reverse Voltage	Vrwm	100	200	400	600	V
DC Blocking Voltage	Vdc	100	200	400	600	V
RMS Reverse Voltage	Vr(rms)	70	140	280	420	V
Average Forward Continuous Current Tc=150C 60Hz	IF(AV)	25				A
Peak Forward Surge Current 8.3 ms single half wave	IFSM	400				A
Max Inst. Forward Voltage IF=80A	Vf	1.18				V
Max. Reverse Leakage DC Current @ 25C	Ir	10				uA
Max. Reverse Leakage DC Current @ 100C	Ir	500				uA
Type Thermal Resistance Junction to Case	Rthjc	1.2				C/W
Operating & Storage Temp. Range	Tj/Ts	-55~175				C

NOTE: PFFR2501~06-001 which special for rebuilding using that copper case OD 12.75~12.85mm