

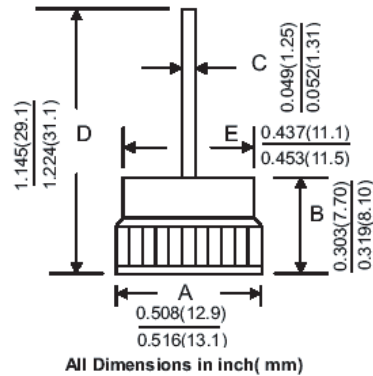
PBFR3523 ~ 43P/N

DESCRIPTION



BOSCH TYPE PRESS-FIT

MECHANICAL DIMENSIONS



Features

- Low Cost
- Super Cool
- Long life Features
- High Current Capability

NOTE:

- 1.PBFR3523P Positive(Forward),(+) Cathode To Case, Color Code Red
- 2.PBFR3523N Negative(Reverse),(-) Anode To Case,Color Code Black

Electrical Characteristics@25C	Symbol	PBFR3523P PBFR3523N	PBFR3535P PBFR3535N	PBFR3543P PBFR3543N	Unit
Average Forward Current, I _o at T _c =150C 60HZ, Resistive Or Inductive Load	I _F	35			A(DC)
BREAKDOWN VOLTAGE(1) AVALANCHE M(IR=100mADC, T _c =25C) PULSE TEST:PULAE WIDTH<=30uS, DUTY CYCLE<=2.0%	V _{BR}	20~26	24~32	39~47	V(DC)
Max. Inst Forward Voltage Drop. V _F at 80Amp	V _F	1.18			V
Peak Forward Surge Current, I _{FM} (surge): 8.3ms. Single Half Sine-Wave Superimposed On Rated Load (JEDEC method)	I _{FSM}	400			A
Maximum Reverse Current I _R At Rated DC Reverse Voltage=20V. T _C = 25C	I _R	0.2			uA
Maximum Reverse Current I _R At Rated DC Reverse Voltage=16/20/33. T _C =100C	I _R	200			uA
Maximum Thermal Resistance, Junction To Case (single side cooled)	R _{θJA}	1.5			C/W
Operating And Storage Temperature Range	T _j ; T _{strg}	-65 to +175			C