

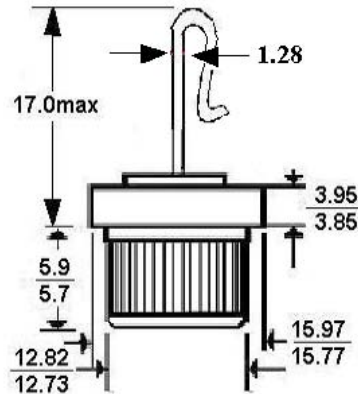
HPFR5001~5006 N/ P

DESCRIPTION



HOOK PRESS-FIT

MECHANICAL DIMENSION



Dimension in mm

Features

- Low Cost
- Super Cool
- Long life Features
- High Current Capability

NOTE:

- 1.HPFR500XP Positive (Forward), (+)
Cathode To Case,Color Code Red
- 2.HPFR500XN Negative(Reverse),(-):
Anode To Case, Color Code Black
- 3.Lead 1.28mm

Electrical Characteristics@25C	Symbol	HPFR5001P HPFR5001N	HPFR5002P HPFR5002N	HPFR5004P HPFR5004N	HPFR5006P HPFR5006N	Unit
Average Forward Current, I _o at T _c =150C 60HZ, Resistive Or Inductive Load	I _F	50				A(DC)
Peak Reverse Voltage, Repetitive:VRRM	VRRM	100	200	400	600	V(DC)
DC Reverse Voltage, VR	V(DC)	100	200	400	600	
Maximum RMS Voltage	VRMS	70	140	280	420	
Max. Inst Forward Voltage Drop. VF at 100Amp	VF	1.2				V
Peak Forward Surge Current, IFM(surge): 8.3ms. Single Half Sine-Wave Superimposed On Rated Load (JEDEC method)	IFSM	600				A
Maximum Reverse Current IR At Rated DC Reverse Voltage. TC= 25C	IR	10				uA
Maximum Reverse Current IR At Rated DC Reverse Voltage. TC=100C	IR	500				uA
Maximum Thermal Resistance, Junction To Case (single side cooled)	R _{θJA}	0.8				C/W
Operating And Storage Temperature Range	T _j ; T _{strg}	-65 to +175				C

RATINGS AND CHARACTERISTIC CURVES HPFR5001 THRU HPFR5006

HPFR5001 ~ 5006P/N

FIG.1 - FORWARD CURRENT DERATING CURVE

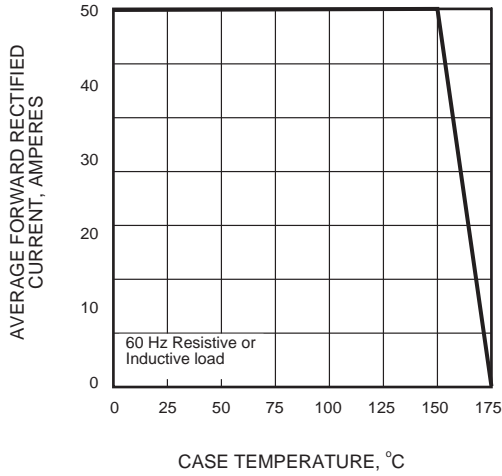


FIG.2 - MAXIMUM NON-REPETITIVE PEAK FORWARD SURGE CURRENT

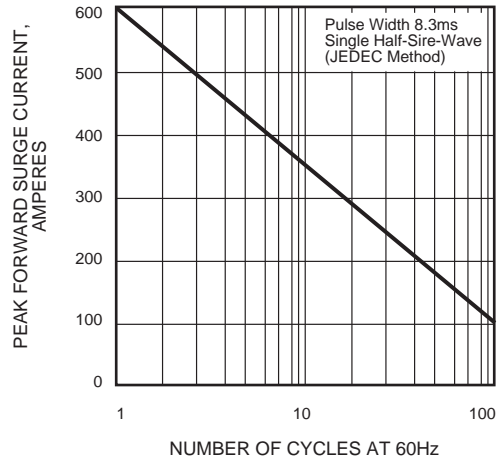


FIG.3 - TYPICAL INSTANTANEOUS FORWARD CHARACTERISTICS

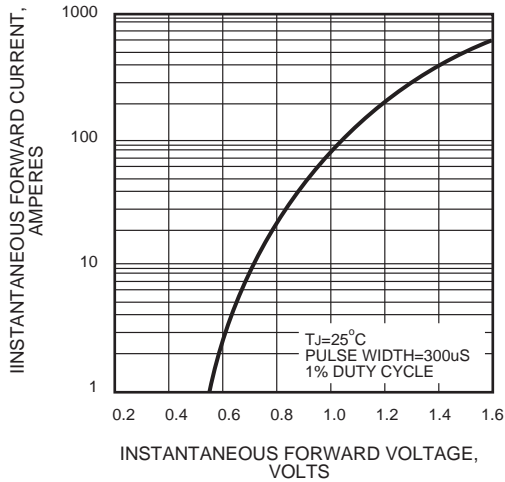


FIG.4 - TYPICAL REVERSE CHARACTERISTICS

