



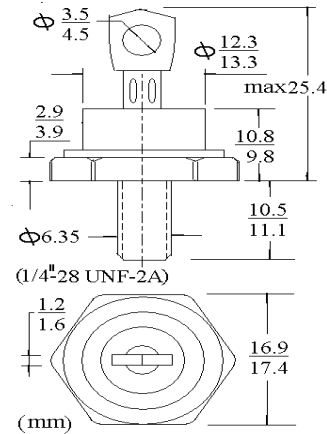
# 75 Amps Glass Passivated Power Rectifiers

## Description

75TR10~60



## Mechanical Dimensions



DO-5

Dimension in mm

Feature	Mechanical Data
<ul style="list-style-type: none"> <li>■ Low Forward Voltage Drop</li> <li>■ Stud cathode and stud Anode available</li> <li>■ High Reliability</li> <li>■ High Surge Current capability</li> <li>■ Outline Free Pb</li> </ul>	<ul style="list-style-type: none"> <li>■ Case: DO-5 Metal case</li> <li>■ Type application:                             <ul style="list-style-type: none"> <li>■ Battery Charge, Converter, Power Supplier, Machine Tool Controls</li> </ul> </li> <li>■ Weight: 15 grams(approx.)</li> </ul>

Max Ratings at Ta=25C Unless Otherwise Specified

Characteristic	Symbol	75TR10	75TR20	75TR40	75TR50	75TR60	Unit
Peak Repetitive Reverse Voltage	V <sub>rrm</sub>	100	200	400	500	600	V
working Peak Reverse Voltage	V <sub>rwm</sub>	100	200	400	500	600	V
DC Blocking Voltage	V <sub>dc</sub>	100	200	400	500	600	V
RMS Reverse Voltage	V <sub>r(rms)</sub>	70	140	280	350	420	V
Forward Continuous Current ; per leg/ package	I <sub>F(AV)</sub>	75					A
non-Repetitive peak Surge Current Halfwave single phase, 60Hz	I <sub>FSM</sub>	600					A
Max Forward Voltage I <sub>F</sub> =100A @25C	V <sub>f</sub>	<35					mV
Reverse Leakage Current; V <sub>r</sub> . MAX @ 25C/175C	I <sub>r</sub>	2.0uA/1.0mA					
Operating & storage Temp. Range	T <sub>j</sub> /T <sub>s</sub>	200/ -40~+200					C
Thermal Resistance Junction to Case	R <sub>thjc</sub>	<0.6					C/W